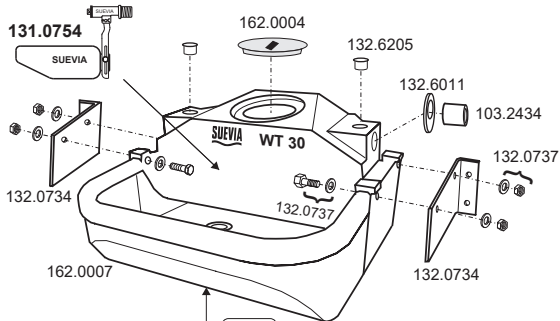


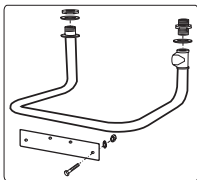
# 160.0030 Mod. WT30



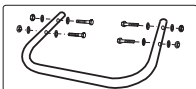
102.1490 1 1/4" (41 mm) (>03.2014)  
132.0672 1" (33 mm) (<04.2014)

## Zubehör • Accessories • Accessoires

131.1302

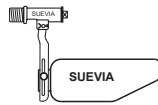


131.1301



\* Multipack 

102.0493-10



131.0754

