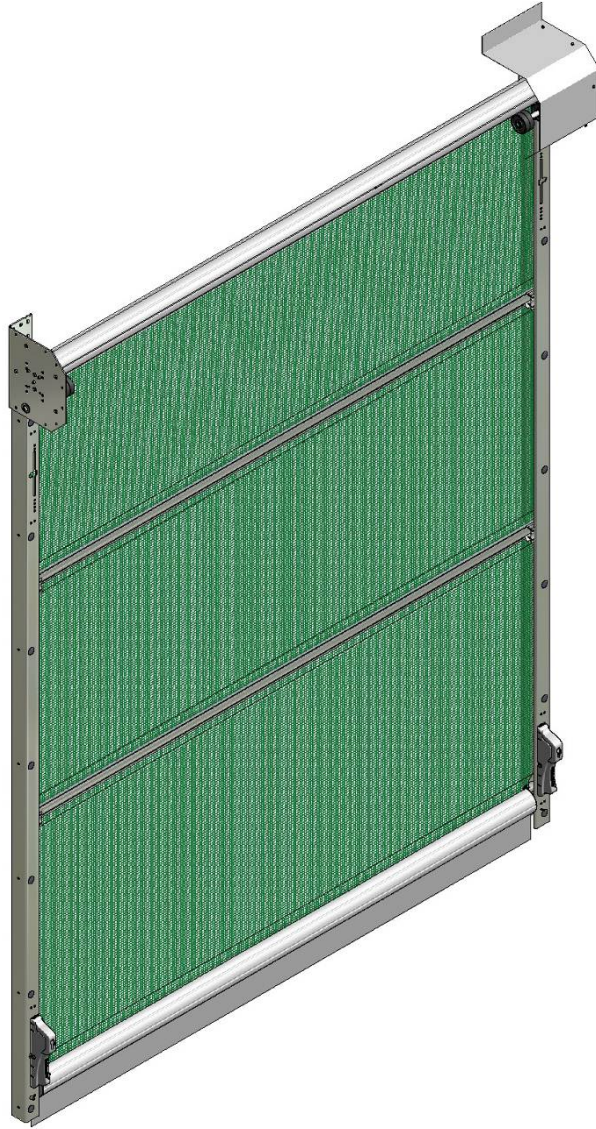


Electric Agridoor

Basic



Installation Instructions



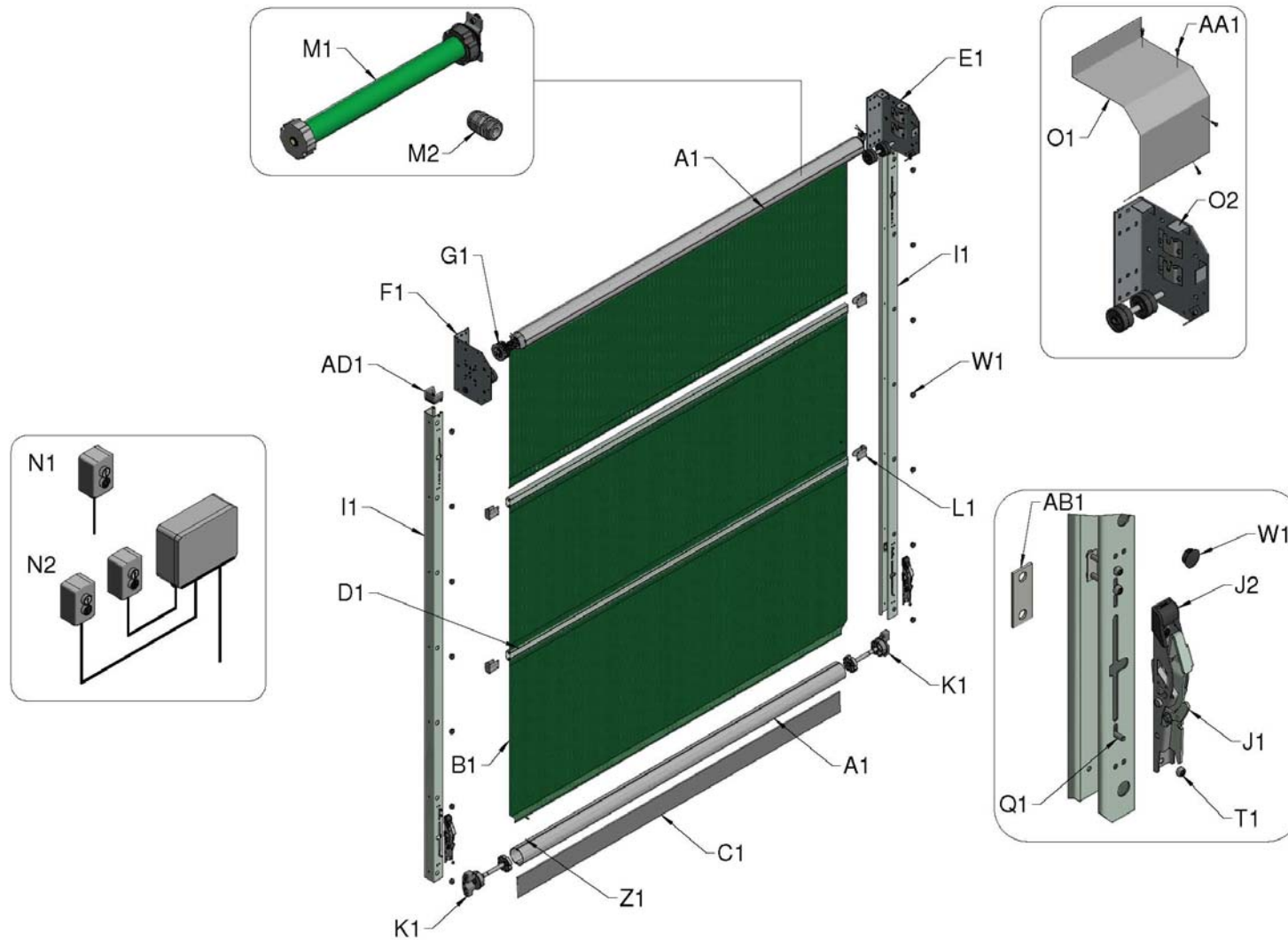


Figure 1, System Overview and Individual Components

INTRODUCTION**Parts List**

REFERENCE:	QTY	PRODUCT DESCRIPTION
A1	2	Top and Bottom Tubes
B1	*	Fabric Panels
C1	1	Lower Flap
D1	*	Wind Bars
E1	1	(i) Drive Bracket
F1	1	(ii) Spring Bracket
G1	1	Spring Assembly (Left-Hand Insertion Shown)
H1	*	(iii) 6mm Nylon Insert for Fabric (not shown)
I1	2	(iv) Guide Rail
J1	2	Locking Catch
J2	2	Locking Catch Cover
J3	2	Activation Hook (Left and Right Hand)
K1	2	Bottom Tube Insert
L1	*	Windbar Protection Cap
M1	1	Electric Motor
M2	1	M16 Cable Gland
N1	1	Drive Switch - <i>Optional</i>
N2	1	Contactora Box and Drive Switches - <i>Optional</i>
O1	1	30cm Motor Cowling
O2	4	Cowling Brackets
P1	1	350 x 127mm Yellow Template (not shown)
Q1	6	M8 x 20 Hex Bolts to Fix Locking Catches
R1	*	M8 x 30 Hex Bolts for Fixing Guide Rails to Building (not shown)
S1	8	M10 x 30 Hex Bolts for Fixing Brackets to a Steel Building (not shown)
T1	16	M8 Nylocs
U1	*	M8 Nuts
V1	*	M8 Washers
V2	8	M10 Washers
W1	26	Guide Rail Plug
X1	8	M10 Nylocs
Y1	2	M4 x 75mm Split Pins to Secure Top Tube to Brackets (not shown)
Z1	*	M4 x 25 Self-Drilling Screws for Fixing Fabric Panels, Inserts and Flap.
AA1	4	M5.5 x 19 Hex Self Drilling Screws
AB1	2	Locking Catch Adjuster Stop
AC1	2	M6x12 Bolt and Nyloc Nut
AD1	1 pr	Guide Rail Guide

* Quantities according to size of door

Your Safety

The larger doors will require a mechanical lift to mount the roller assembly onto the top brackets. The respective weights are given in the table below based on standard material. Add 5% to this figure for doors supplied with 'HP' fabric, and 15% for doors supplied with black Stockscreen and solid fabrics.

ENG

WIDTH	HEIGHT			
	3.1m	4.1m	5.1	6.1m
2.5m	49kg	55kg	61kg	66kg
3.0m	54kg	61kg	68kg	75kg
3.5m	59kg	68kg	82kg	90kg
4.0m	65kg	80kg	89kg	99kg
4.5m	76kg	87kg	97kg	113kg
5.0m	82kg	93kg	110kg	122kg
5.5m	87kg	99kg	118kg	130kg
6.0m	92kg	111kg	125kg	139kg

Table 1, Roller Assembly Weights



CAUTION: To safeguard against any danger points, the minimum height 'H' of any door is 2.5m.

In the event of power or door failure, the door must not form the only means of exit from the building to which it is fitted.

Wind Loadings

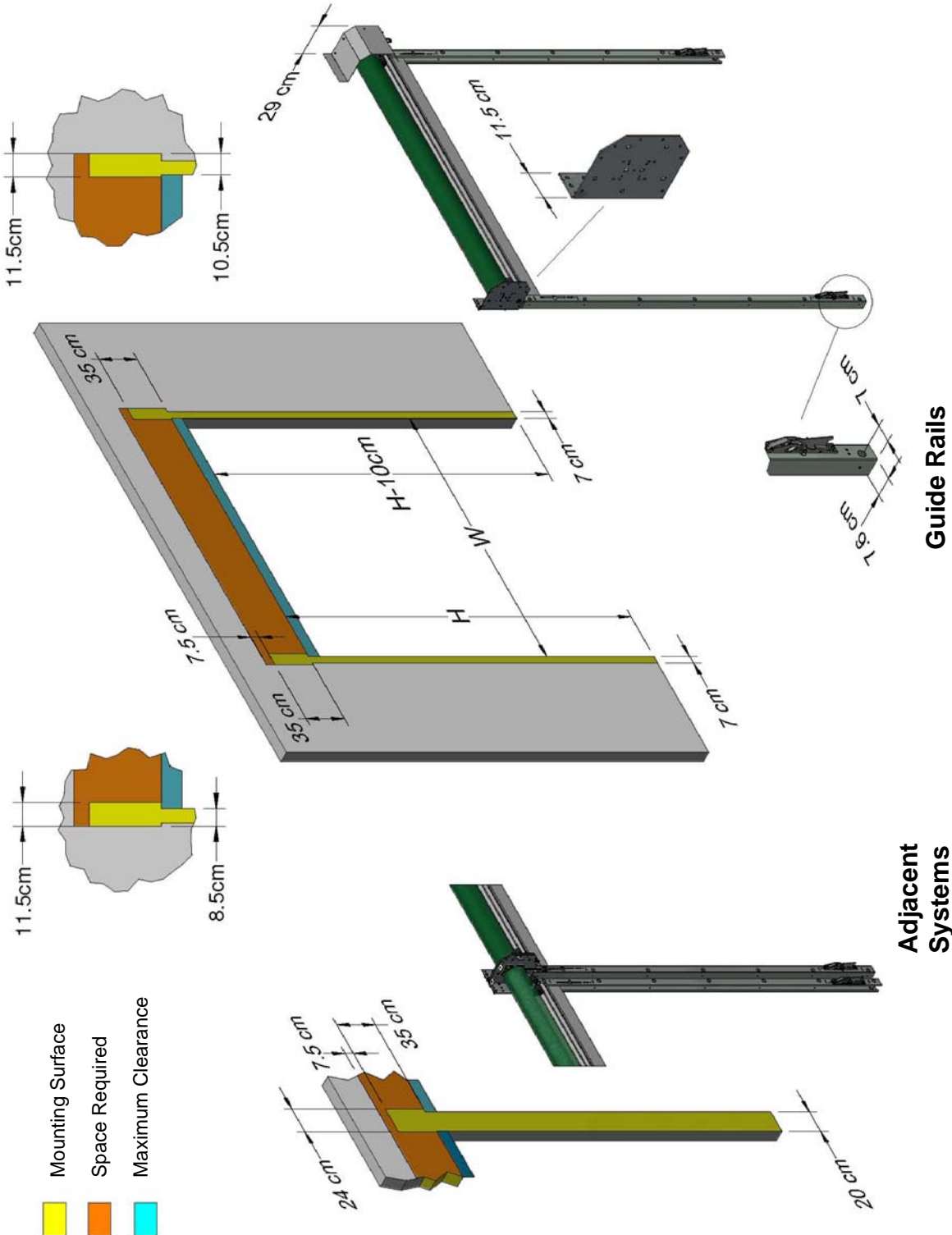
The structure to which the door is fitted needs to be of adequate strength to resist the following wind loads.

Wind Speed (km/hr)	Wind Load (N)*	Wind Load (Kg)*
70 km/hr	= W x H x 233	= W x H x 24
100 km/hr	= W x H x 481	= W x H x 49
140km/hr	= W x H x 933	= W x H x 95

*No allowance made for safety margins

Pre-Installation Check

Figure 2 indicates space required to install your door, with additional information for mounting multiple doors in series.



ENG

Figure 2, Fitting Requirements

Order Width (m)	Max Width W (m)
2.5	2.5 (2.2 min)
3.0	3.0
3.5	3.5
4.0	4.0
4.5	4.5
5.0	5.0
5.5	5.5
6.0	6.0

Order Height (m)	Max Height H (m)	Max Clearance H-10cm (m)
3.1	3.1	3.0
4.1	4.1	4.0
5.1	5.1	5.0
6.1	6.1	6.0

ENG

Right or Left Hand Drive

Your door will be supplied in accordance with the drive orientation specified when ordered. The images and text in these Instructions are based on a door with a right-hand drive, if you have ordered a left-hand drive then reverse the references. To change the orientation of your product:

- Top Brackets: The mounting plate is non-handed with a pair of holes for left or right orientation, which are marked 'L' and 'R'. To change orientation remove the item from the plate and secure on the opposite hand.
- Spring: See Appendix I for details of spring conversion.

Electrics

Only allow qualified electricians to work on the electrical connections of the door. This document covers the key instructions with regards to bringing the Electric Drive into service. Read the additional information from the supplier of the Electrical Motor and Control Box for full installation instructions.



ATTENTION: The power supply must be taken from a LOCKABLE isolation switch positioned within 2m from the door.

Installer Competence

The installer should be able to demonstrate the required level of competence via evidence of installing similar products or formal training. If competence cannot be proven then they should not be allowed to install the product.

Product Description

The Agridoor[®] is a power operated vertically moving rolling door comprising of a series of linked flexible curtains capable of being rolled and for which the main intended uses are giving safe access for goods and vehicles accompanied or driven by persons.

ENG

Noise Levels

A-weighted sound pressure level (dB)	50
C-weighted peak sound pressure level (dB)	75

Items Required by the Installer

Standard tool kit including:

- Electric drill
- Angle grinder
- Sharp pair of scissors or knife
- Spirit level
- Bolts for fixing to steel up to 12mm thick are supplied, if fixing to a wooden or concrete building you will require eight M10 fixings to fasten top brackets and M8 fixings for guide rails.
- Clips to fix electrical cables to the building
- Power for motor (220Volts, 600Watts, 3Amps)
- If optional safety edge is ordered, 50mm hole saw for steel

ENG

Key Instructions

CAUTION: Potentially hazardous situation: must be avoided otherwise injuries may result.



ATTENTION: Observe the given instructions otherwise the product or adjacent items may be damaged

NOTE: Helpful comments and information to assist in installation or use of your product

NOTE: Before starting the installation you must fully read these instructions (including the separate electrical details) to completely understand the procedure.

Keep the instructions supplied for reference purposes.

NOTE: Colour versions of the installation instructions can be downloaded from our website:

www.galebreaker.com

INSTALLATION

1. Check the contents of your door against the parts, Figure 1. Do not let the screen material come into contact with sharp objects or corners.

Fitting the Top Brackets

2. Using the template, fit the spring bracket (F1) and drive end bracket (E1) at the required height with M10 fixings (S1). Do not use the bottom set of holes, the fixings may interfere with the rolling action of your door. The door has been designed such that the tops of the guide rails are fitted directly underneath the brackets (Figure 3b), aligning with the letter 'F' for the spring bracket and the letter 'M' for the drive bracket. When fitting the brackets it is essential that they are level and upright.

ENG

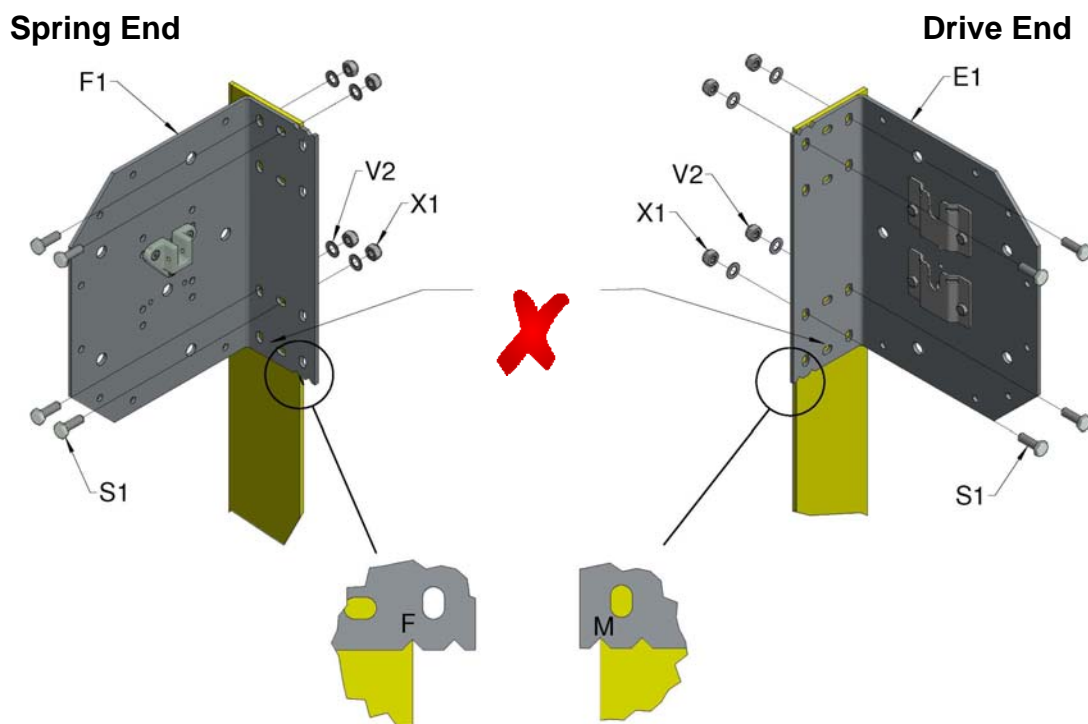


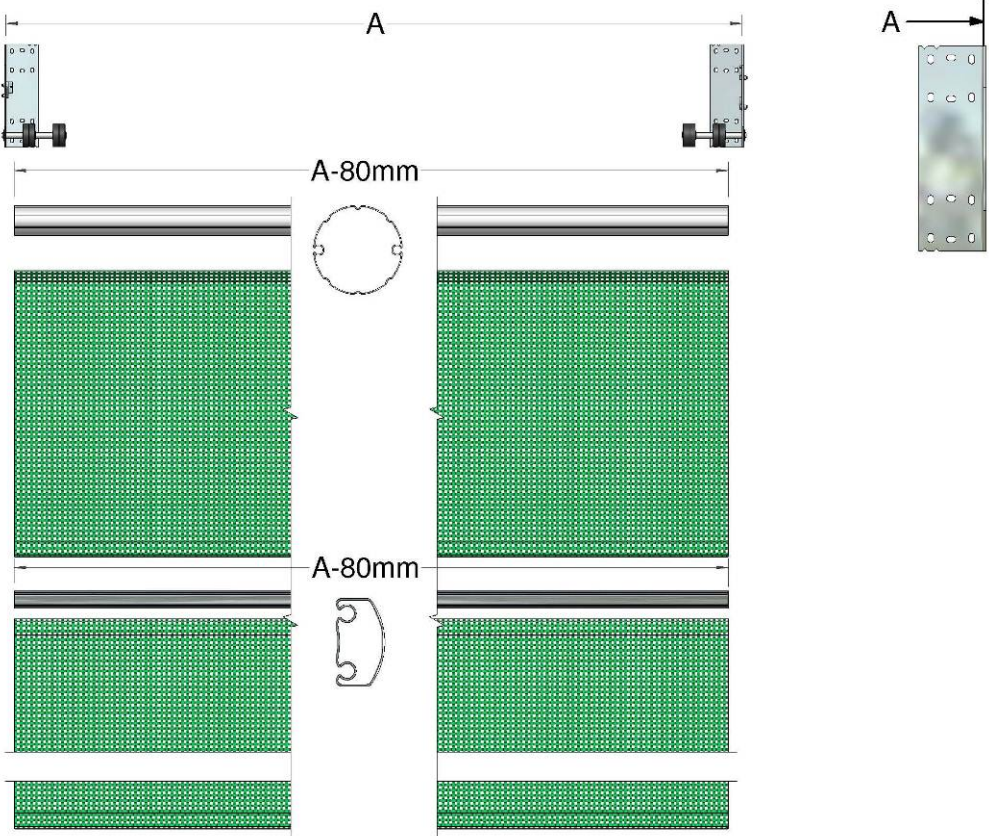
Figure 3b, Top Bracket Positioning



CAUTION: Referring to Table 1 on page 4, ensure the building is of sound construction and that the most suitable type of fastener is used. Use only M10 bolts or greater to fit these items and ensure they are securely fastened to the building. Failure of these fixings will result in your door falling off the building, potentially injuring operators and bystanders.

Cutting the Top tube, Windbars, and Fabric

3a. If it is required to cut your door, measure the daylight gap between the inside face of the top brackets (A) and cut to the following rules (Figure 4a), do not cut the lower flap and tube at this point.



ENG

Figure 4a, Standard Cutting Lengths of Tubes and Fabric

- Top Tube = Distance between inside faces -80mm (-0.080m)
- Fabric Panels = Distance between inside faces -80mm (-0.080m)
- Windbars = Distance between inside faces -80mm (-0.080m)

- 3b. If your door can be mounted without cutting the top tube, windbars and fabric panels, follow the dimensions shown in Figure 4b, note the bottom tube and flap will always have to be cut.

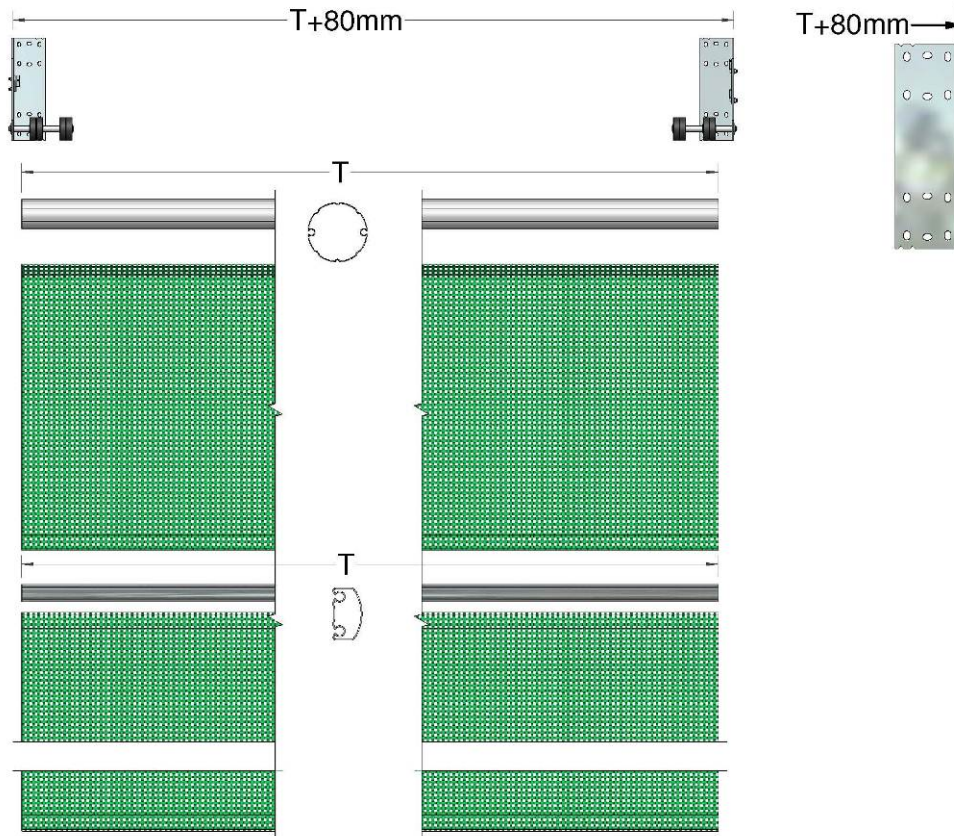
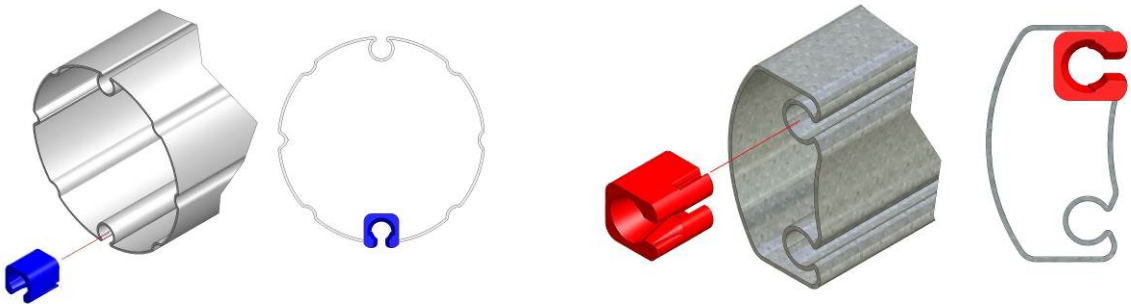


Figure 4b, Top Bracket Spacing When Not Cutting Tube, Windbars and Fabric

4. Slide the nylon insert (found inside the windbars) into the pocket of the fabric and cut to suit, slide the fabric panels and windbars onto the top tube assembly (Figure 5a).

NOTE: To ease the insertion of the fabric panels into the windbars ensure all metal burrs are removed, and use a lubricant such as light oil or washing-up liquid.



ENG

Push the Flute Guide Insert over the end of the flute in the tube or windbar to protect the fabric sheet as it is being fitted. When the fabric is inserted remove the Flute Guide Insert from the end of the flute.

Ensure that the panels go in the correct position, as they are different heights, refer to Figure 5b.

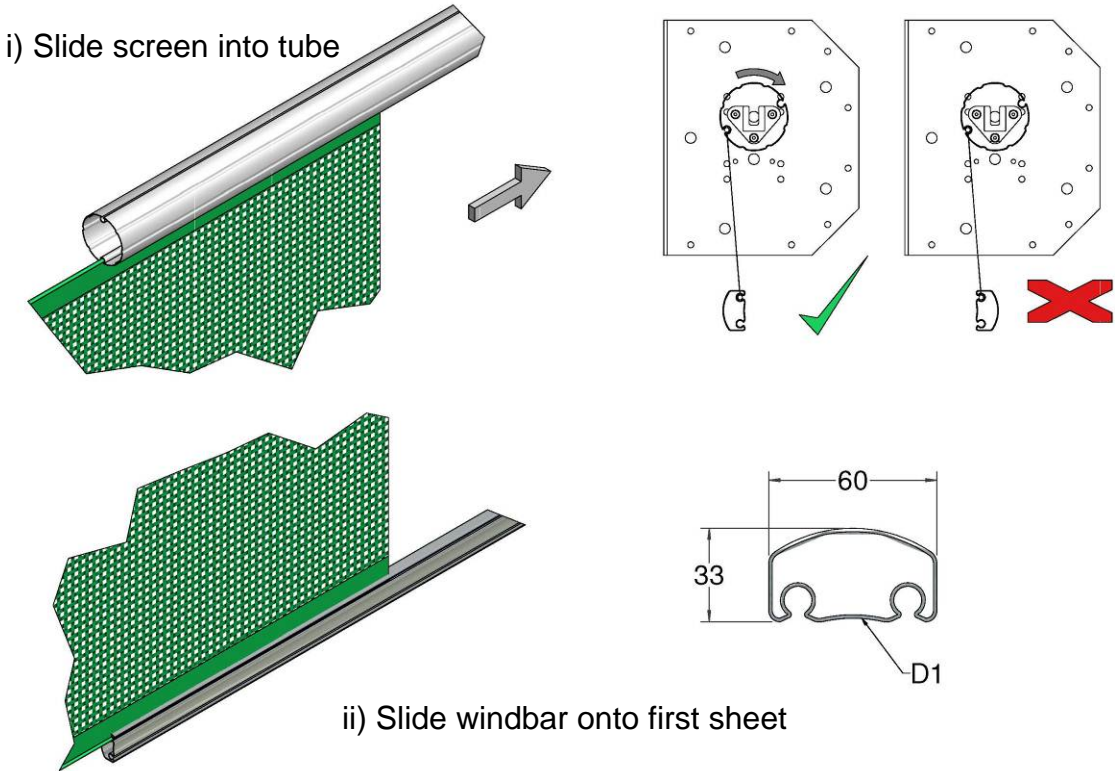
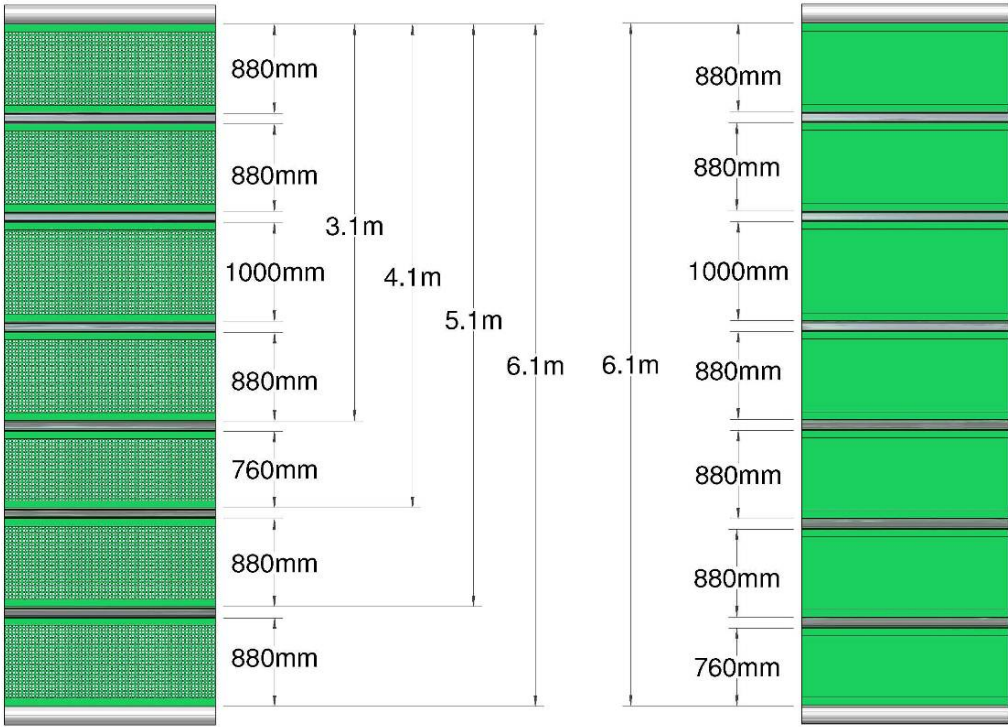


Figure 5a, Sliding Fabric Panels and Windbars onto Top Tube

6.1m Solid Material (only)



ENG

Figure 5b, Fabric Panel Layout

Secure the screen in each corner using the 25mm self-drilling screws supplied (Z1), ensuring the windbar protection caps (L1) are fixed at the same time. To prevent damage to the pads do not over tighten the screws. It is important to tension sheet sideways before fixing to remove creases (Figure 5c). Do not secure the fabric to the top tube at this point.

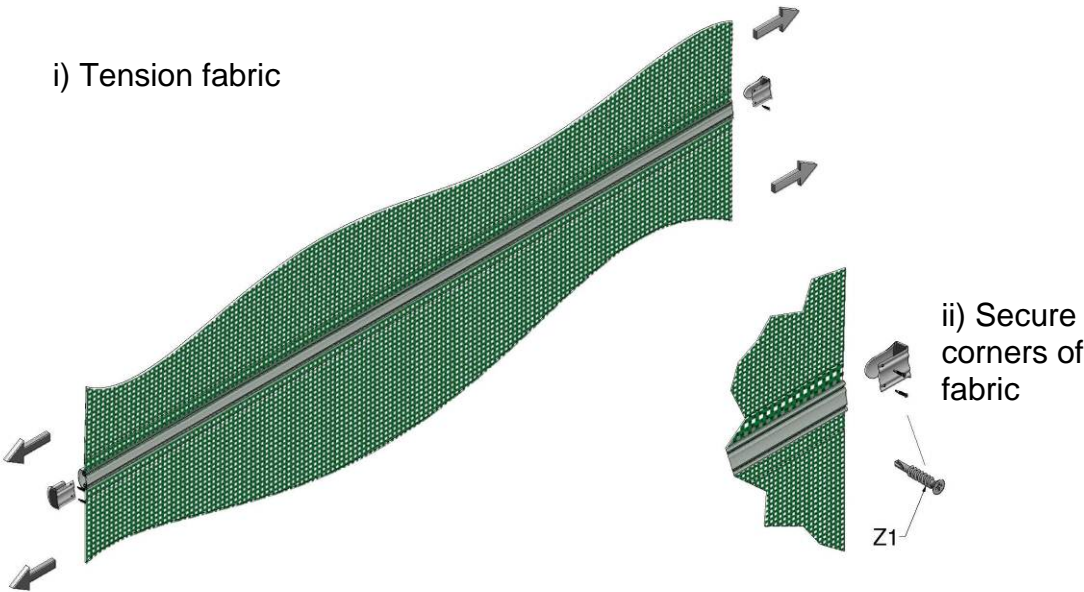


Figure 5c, Securing Fabric

- 5. Roll the windbars and fabric panels onto the top tube. It is important that when the door is hung the fabric should come off the back of the top tube, between the tube and the building face (Figure 6a).

ENG

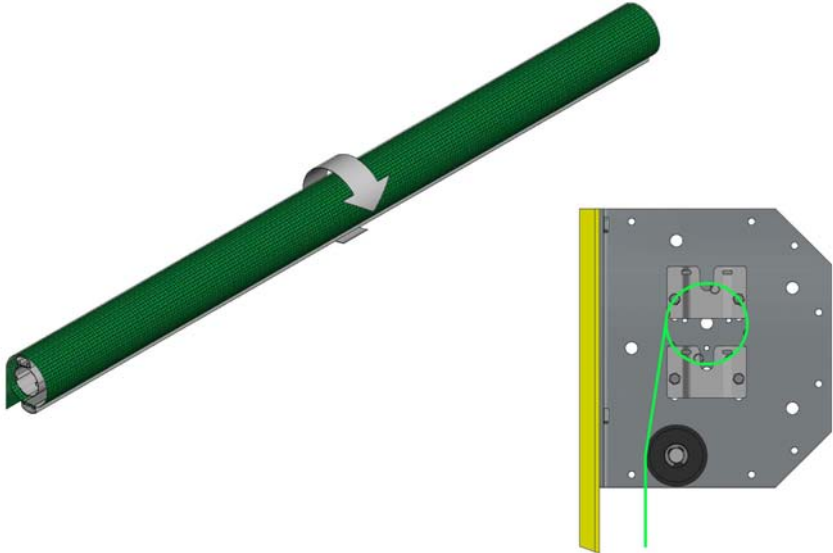


Figure 6a, Fabric Attached to Top Tube and Rolled Up

Slide the spring assembly (G1) into the top tube to match the orientation of the free end bracket, insert motor (M1) into opposite end. Refer to Figure 6b for right hand drive and Figure 6c for left hand drive.

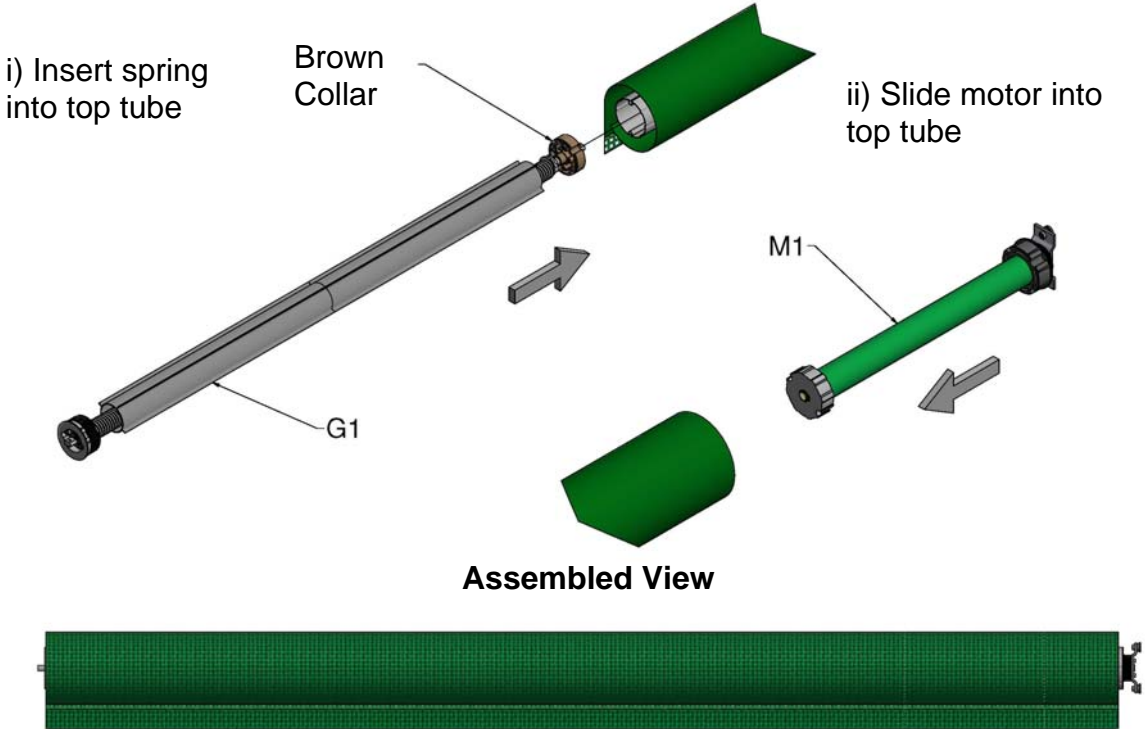
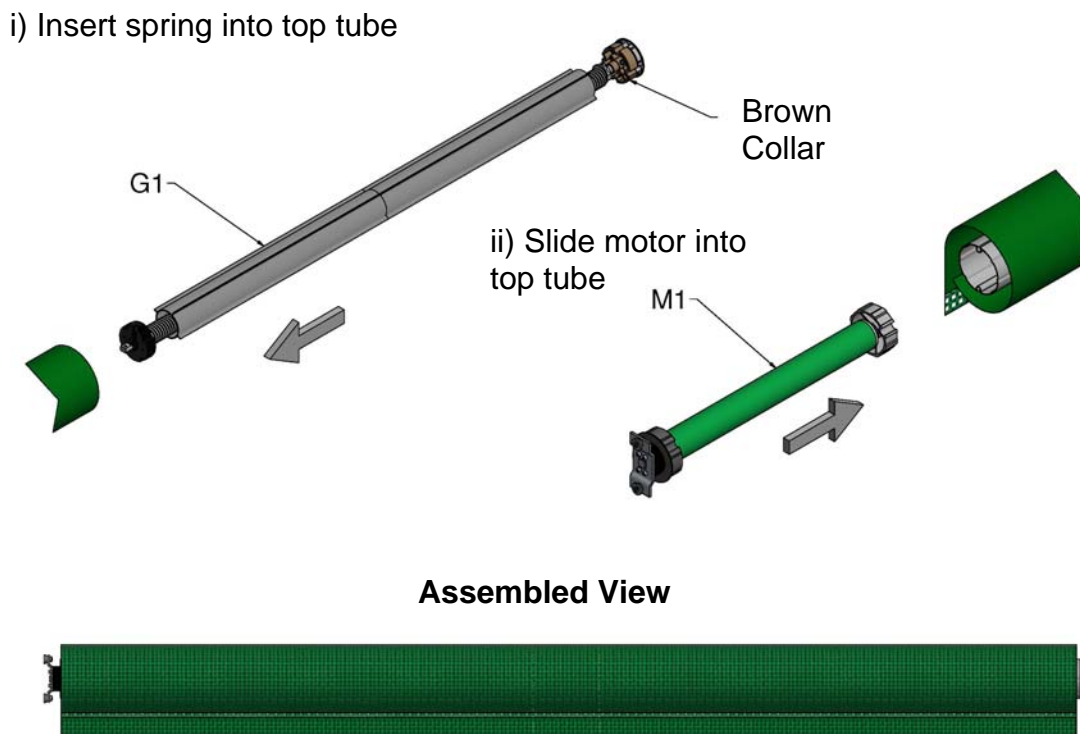


Figure 6b, Top Tube Assembly (Right Hand Drive)



ENG

Figure 6c, Top Tube Assembly (Left Hand Drive)



ATTENTION: It is vital that the spring assembly is fitted correctly, as shown in Figure 6b or 6c, otherwise the spring will suffer terminal damage, for which Galebreaker is not liable, i.e. if you have a right hand operated door (option R) as shown in Figure 6b the Brown collar should be inserted first.

NOTE: If you wish to fit the spring to the opposite side to that ordered, refer to instructions in Appendix I.

Hanging the door

6. When lifting the roller assembly onto the top brackets, ensure that the spring shaft and the pins on the motor head slide completely into the base of the cup brackets (Figure 7). Lock in place with the M4 split pins (Y1) each end.



ENG

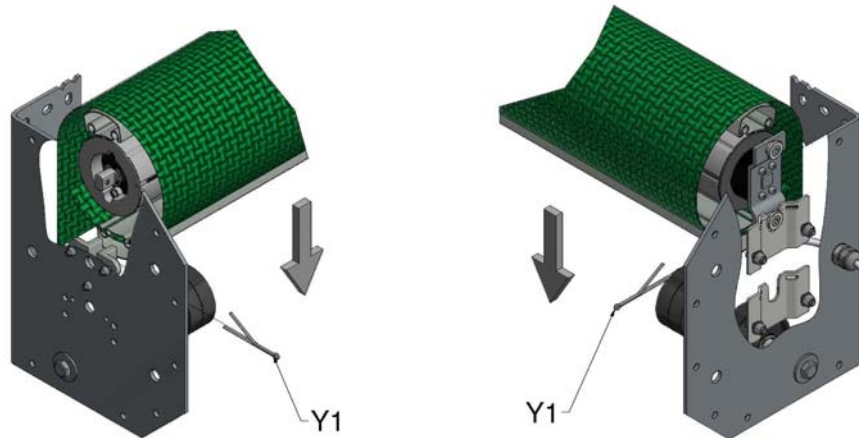


Figure 7, Locating Top Tube In Brackets (RH Drive Shown)

CAUTION: It is important to insert the split pins, this will prevent your door falling if the end brackets are struck, thereby potentially injuring operators and bystanders.

Feed the motor 4-core wire through the cable gland (M3) in the drive bracket (E1) making sure the cable is kept tight against the Top Bracket to prevent any contact with the windbar caps, (Figure 8).

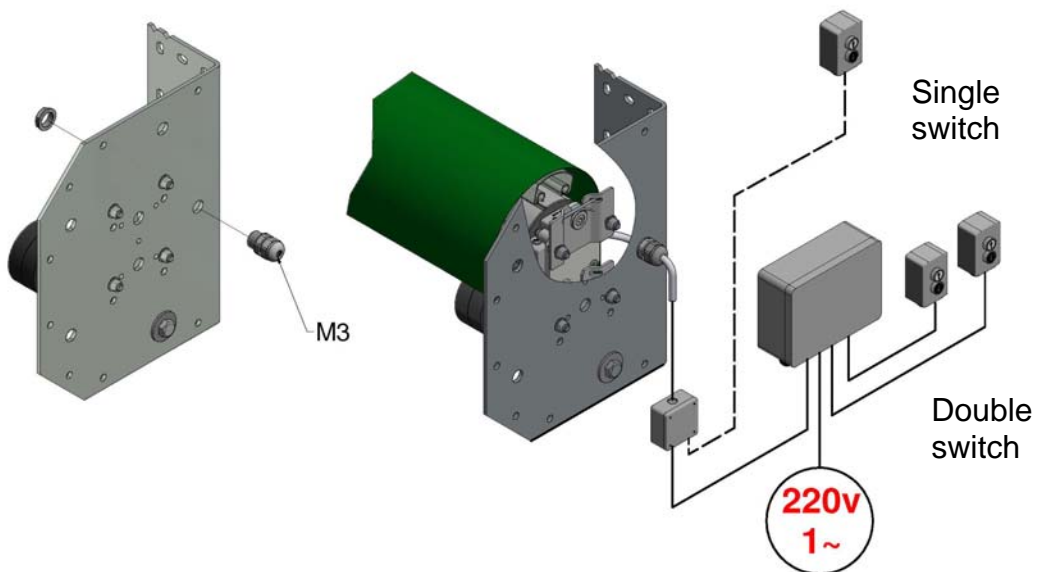


Figure 8, Routing of Motor Wire


Electrical Controls

7. Single Switch Control

Secure the junction box, switch (N1) and wires to the building. Ensure all wires exiting from the drive bracket (E1), junction box and switch point down to form a drip-loop so that rain water cannot enter the motor or switch. Ensure the cable glands are correctly seated to prevent water ingress. Wire the 4-core motor cable into the junction box as detailed in Figure 9a for left hand drive or Figure 9b for right hand drive. Follow the 'Selve' operating instructions for the tubular motor and connect 220v power supply; you will now be able to operate the door using the switch (N1)

ENG

To operate the door, press the switch in the direction you want the door to travel as indicated by the arrows on the button.



CAUTION: For safety, the switch must be positioned in sight of the door.

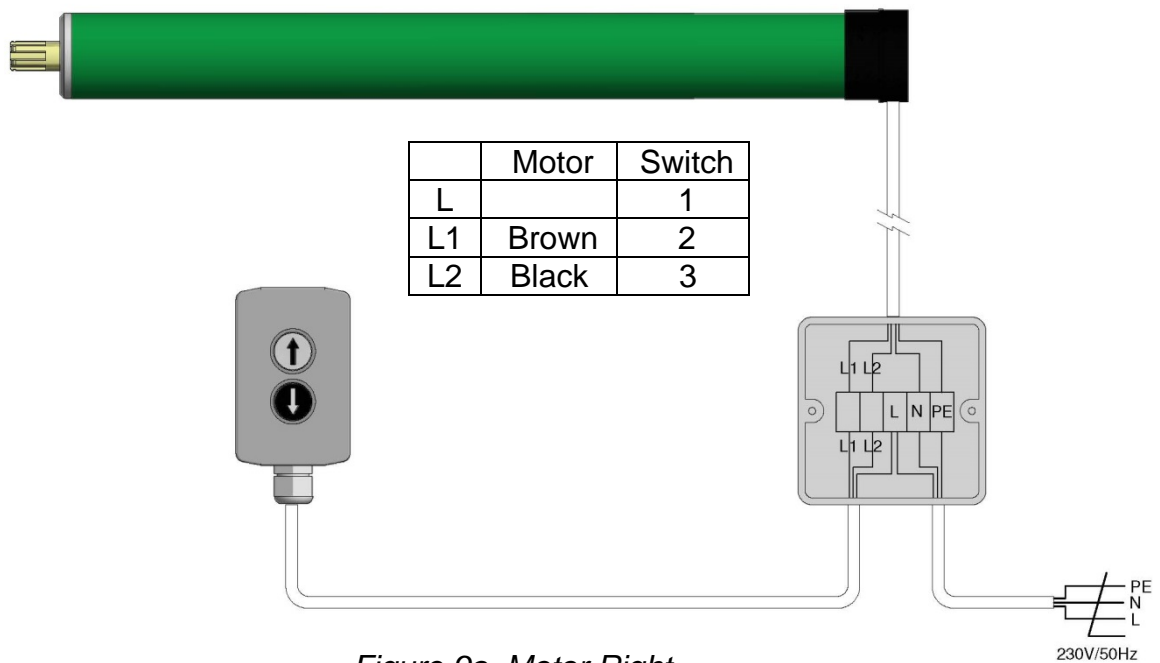
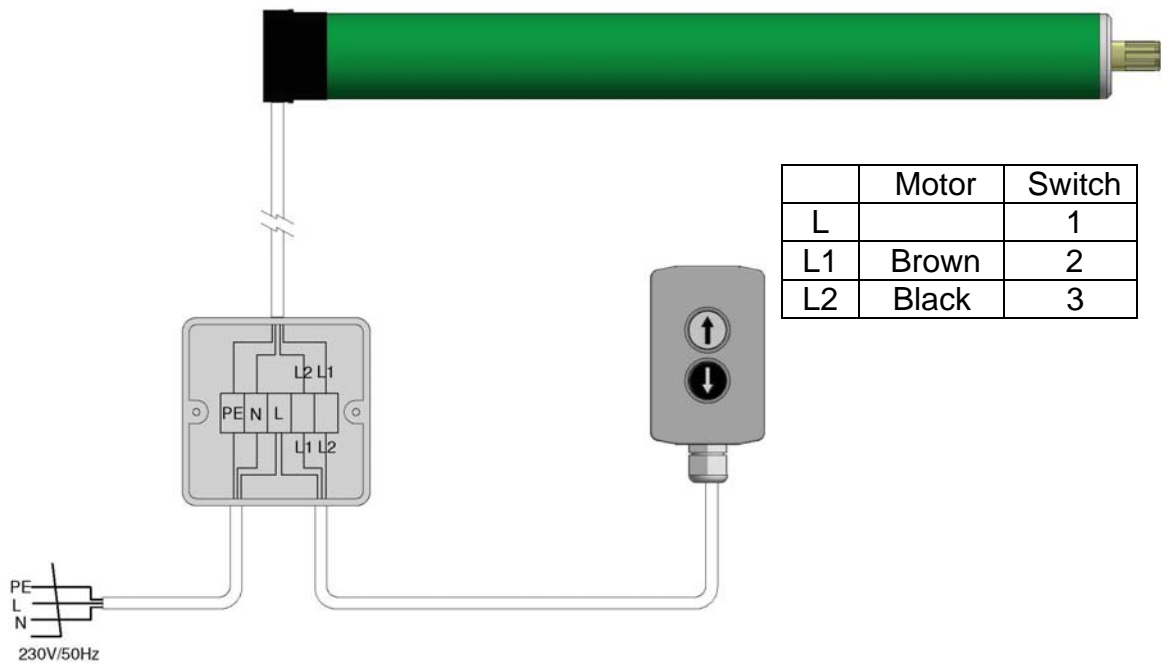


Figure 9a, Motor Right



ENG

Figure 9b, Motor Left

Double Control Switch

Secure the contactor box, switches, and wires to the building (N2). Ensure all wires exiting from the drive bracket (E1) and motor switches (N2) points down to form a drip-loop so that rain water cannot enter the motor or switches. To protect the circuit board we advise the contactor box is mounted inside the building with the glands face downwards. Ensure all cable glands are correctly seated to prevent water ingress. Wire the 4-core motor cable into the contactor box (N2) as detailed in Figure 9c. Follow the 'Selve' operating instructions for the tubular motor and connect 220v power supply; you will now be able to operate the door using the switches (N2). Re-fit lid checking that the seal is correctly seated to ensure water does not damage the electronic controls.

To operate the door, press the switch in the direction you want the door to travel as indicated by the arrows on the button.

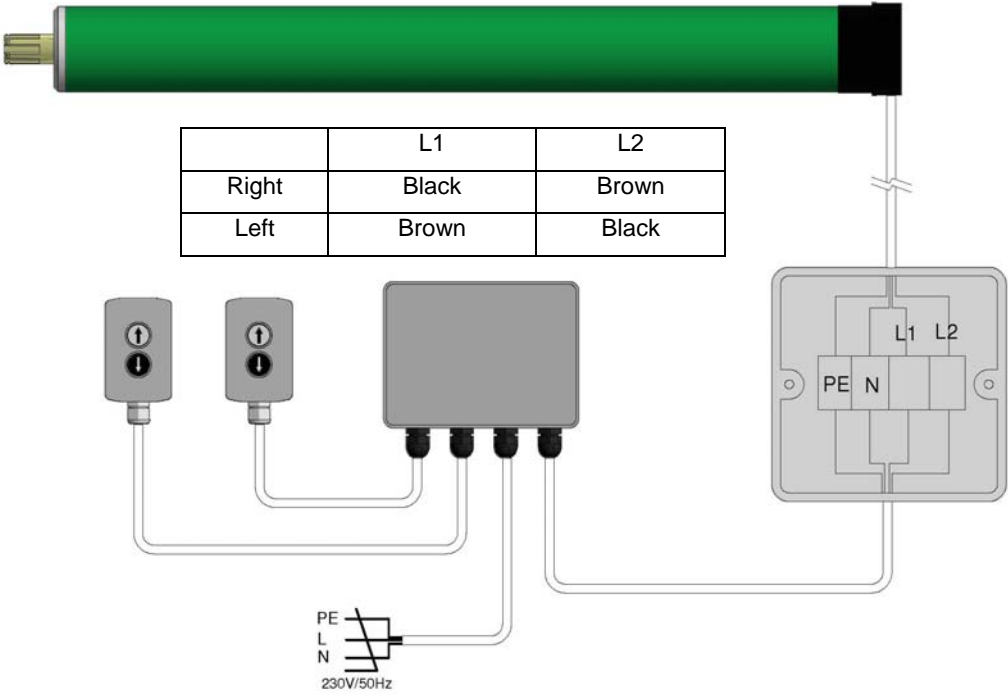



Figure 9c, Contactor Box Wiring

 **CAUTION:** For safety, position both switches in sight of the door

 **ATTENTION:** For maximum protection of the circuit board inside the Contactor box, we advise this is mounted inside the building away from direct rainfall. If outside operation is required use the second switch for this location

Fixing the Guide Rails

8. Lower your door fully, when the fabric and windbars are down you will be able to check the top tube is level. Raise your door, the fabric and windbars will now stack tightly around the top tube which will make tensioning the spring easier in section 11 below. Tie up the roller assembly (Figure 10).

ENG

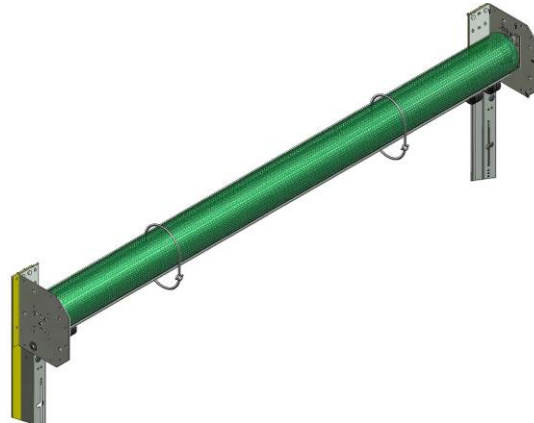


Figure 10, Tie Up Roller Assembly

9. Equally cut the guide rails (I1) to fill the gap between the underside of the top brackets and the ground allowing 4 cm for the guide (AD1). Always cut the top of the guide rail to leave the slot/ hole arrangement at the bottom for the fitting of the locking catches. Fit the pair of guides into the top of the guide rails (cut end) and secure with the M6x12 bolt and nut (AC1) in the front face, Figure 11.

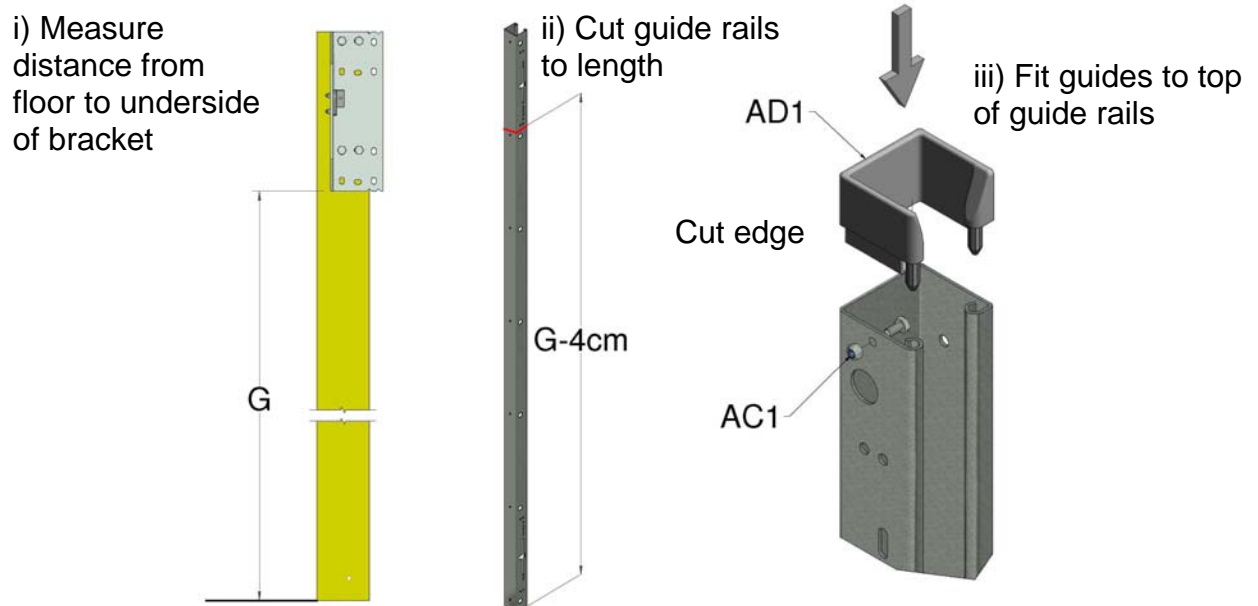



Figure 11, Cutting Lengths of Guide Rails

10. Fit the guide rails to the building with M8 fixings at 100cm centres.

 **CAUTION:** Use only M8 bolts or greater to fit these items and ensure they are securely fastened to the building.

ENG

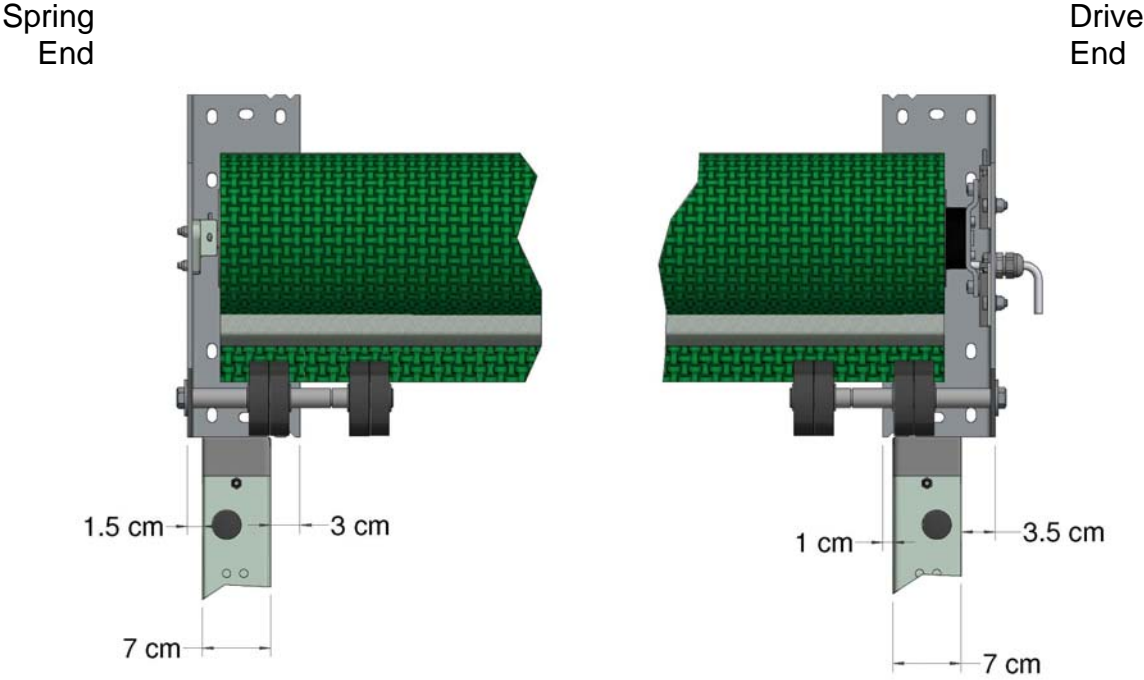


Figure 12a, Location of Guide Rail

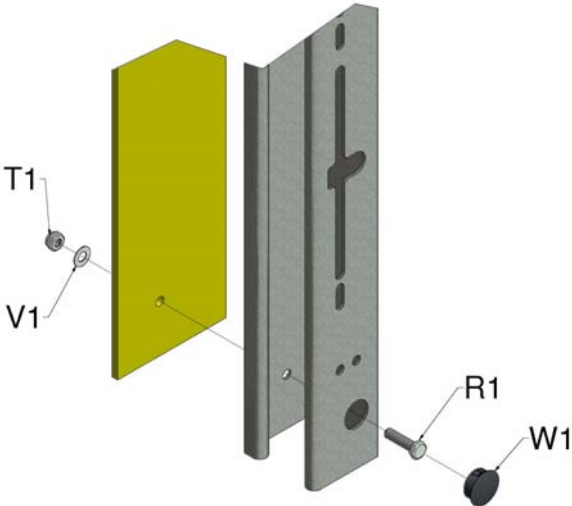


Figure 12b, Bolting of Guide Rail to Wall

11. Bolt the locking catches (J1) to the pre-punched slots at the base of the guide rails using the M8x20 set screws (Q1) and lock nuts supplied (T1). Pass the upper catch screws through the locking catch stop plate (AD1) fitted on the inside of the guide rail to prevent the catch sliding up the pre-punched slots. Ensure the swinging arm of the locking catch clears the long slot in the guide rail (Figure 13). Fit caps (J2) to top of locking catches.

ENG

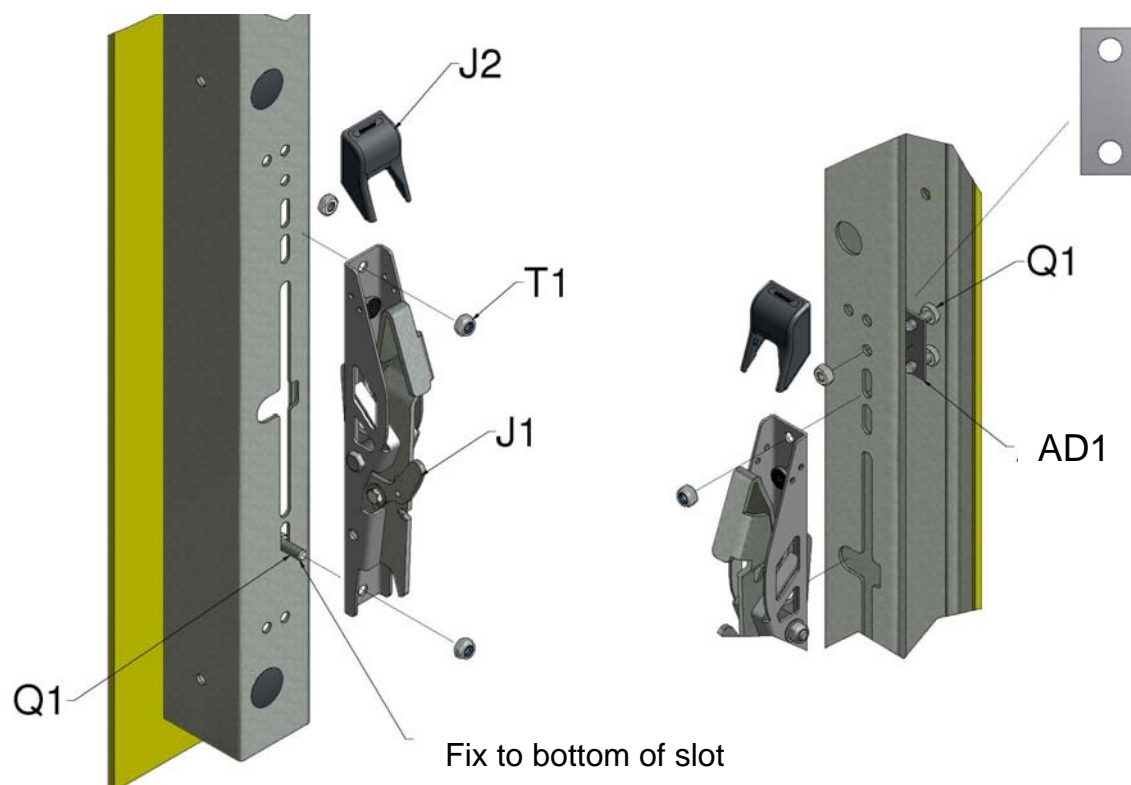
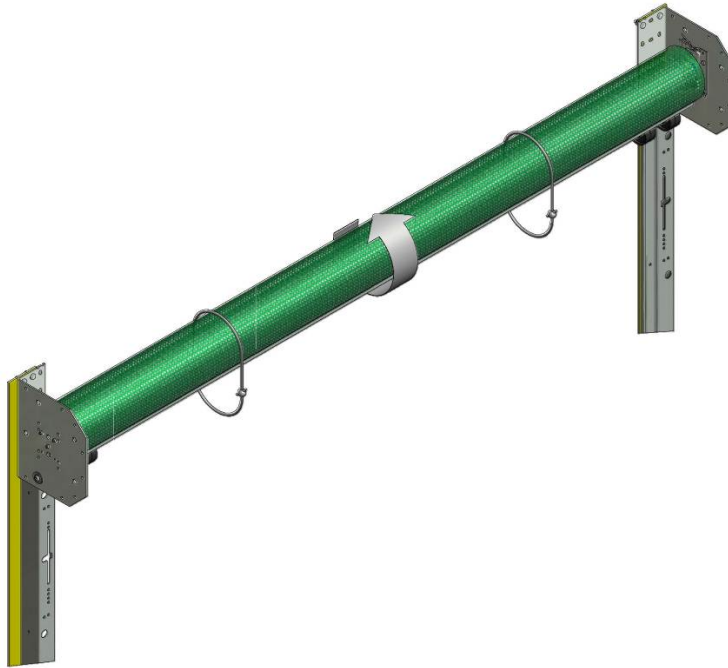


Figure 13, Bolting of Locking Catches and Bolting Together Guide Rails

Tensioning the Spring Mechanism

- Pre-tension the spring mechanism by rotating the roller assembly in the direction shown in Figure 14. The number of pre-tension turns is given in the table below.



ENG

Figure 14, Tensioning of Spring

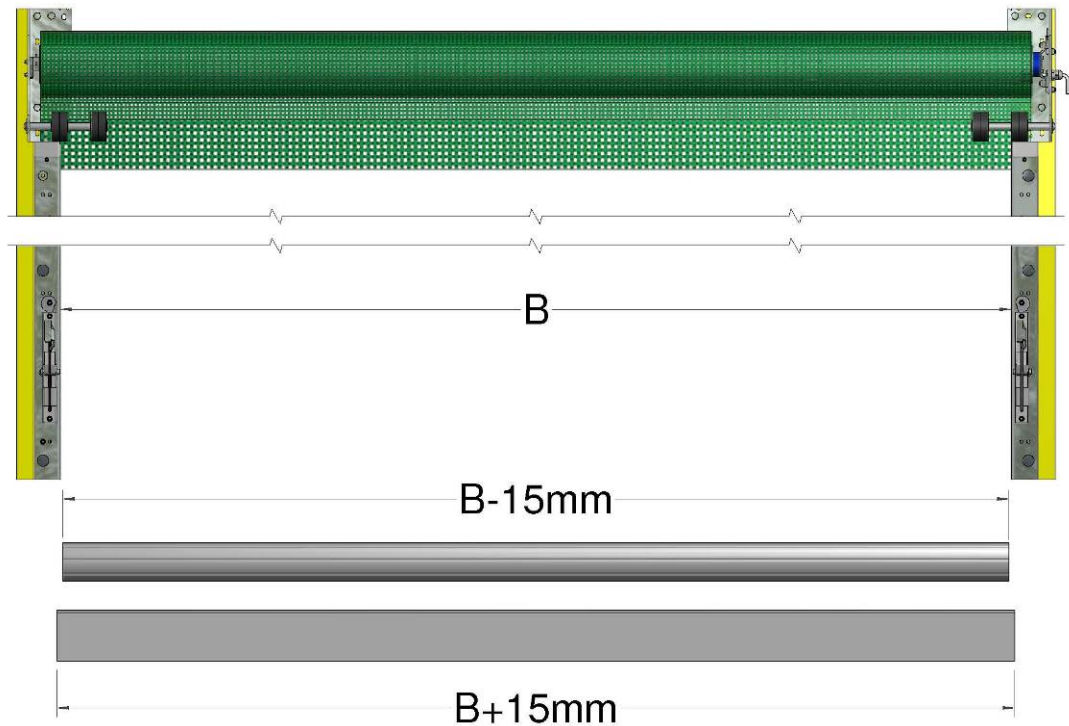
WIDTH	HEIGHT & No. OF TURNS			
	3.1m	4.1m	5.1m	6.1m
2.5m	0 (1.7m long	0	2	4
3.0m	2 Spring)	4	6	8
3.5m	4	7	3	4
4.0m	7	3	5 (2.4m long	7
4.5m	3	5	9 Spring)	4
5.0m	5	7	4	6 (3.0m long
5.5m	7	9	5	7 Spring)
6.0m	9	5	7	9



ATTENTION: To prevent spring damage, do not over-tension.

Installing the Bottom Tube and Flap

13. Cutting bottom tube and flap (Figure 15a):

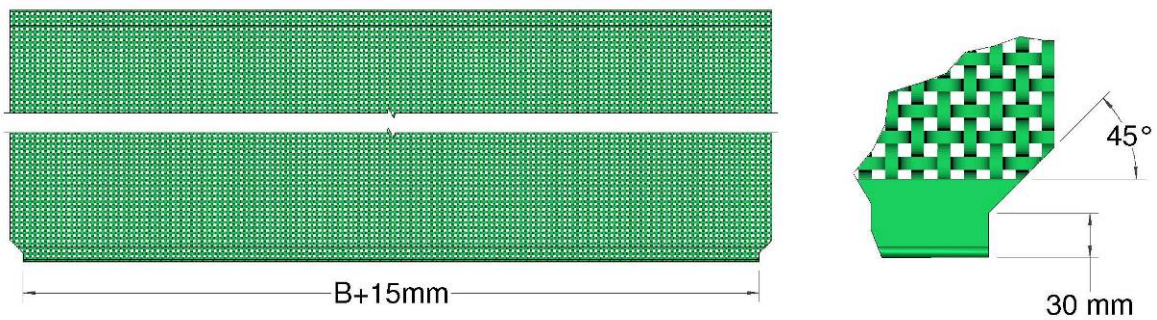


ENG

Figure 15a, Cutting Length of Bottom Tube and Bottom Flap

- Bottom Tube = Gap between inside face of Guide Rails -15mm (-0.015m)
- Bottom Flap = Gap between inside face of Guide Rails +15mm (+0.015m)

14. Pull the bottom fabric panel outside the guide rails and slide on the bottom tube (Figure 15b), centralise and trim excess fabric in each corner as shown. Push the inserts (K1) into the tube, and fix using the M4 x 25mm self-drilling screws (Z1) supplied, secure flap with same self-drilling screws.



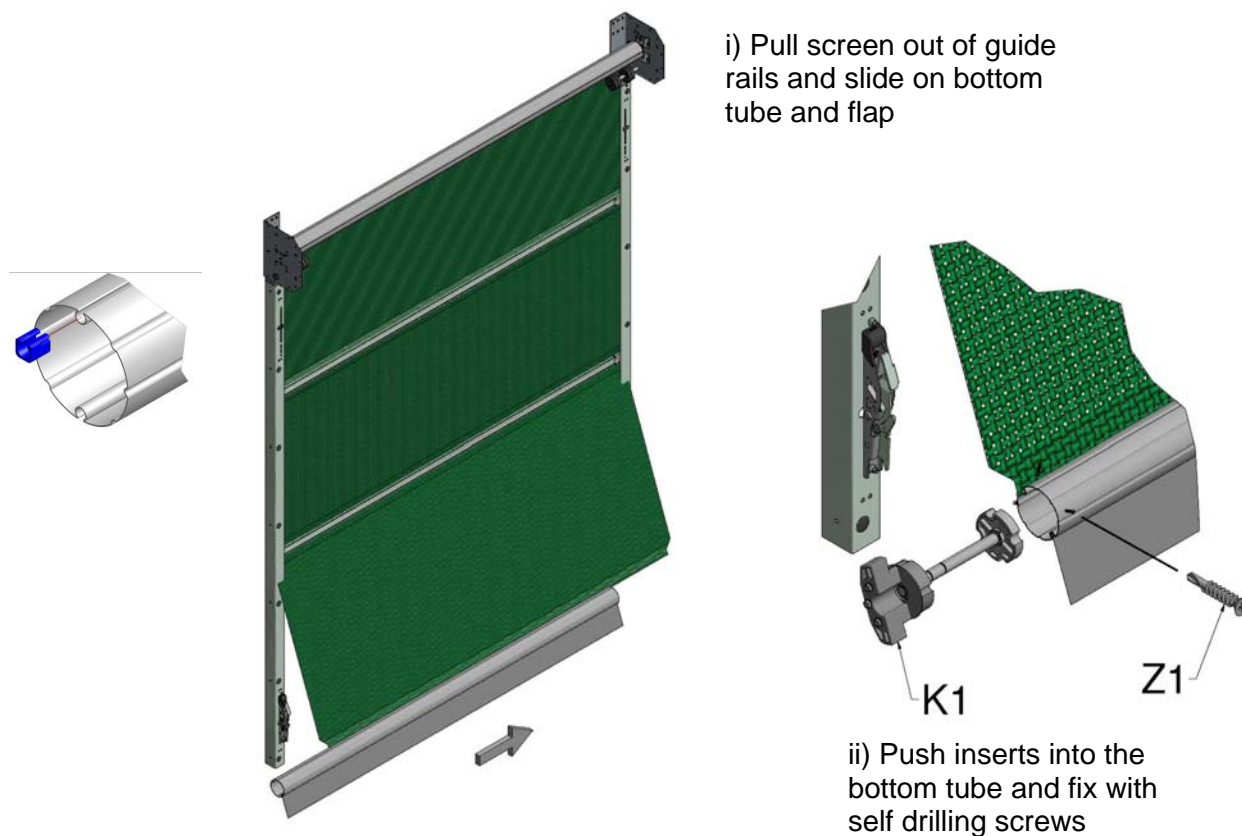


Figure 15b, Attaching Bottom Tube

15. Lower your door fully and secure the fabric panel to the top and bottom tube with the self-drilling screws (Z1). It is important to tension sheet sideways before fixing to remove creases (Figure 16). Insert the screws into the top tube by a maximum of 35mm in from the edge to prevent damage to the spring and motor. Check the operation of the locking catches; it may be necessary to trim additional fabric above the tube to allow the swinging arm to fully close.

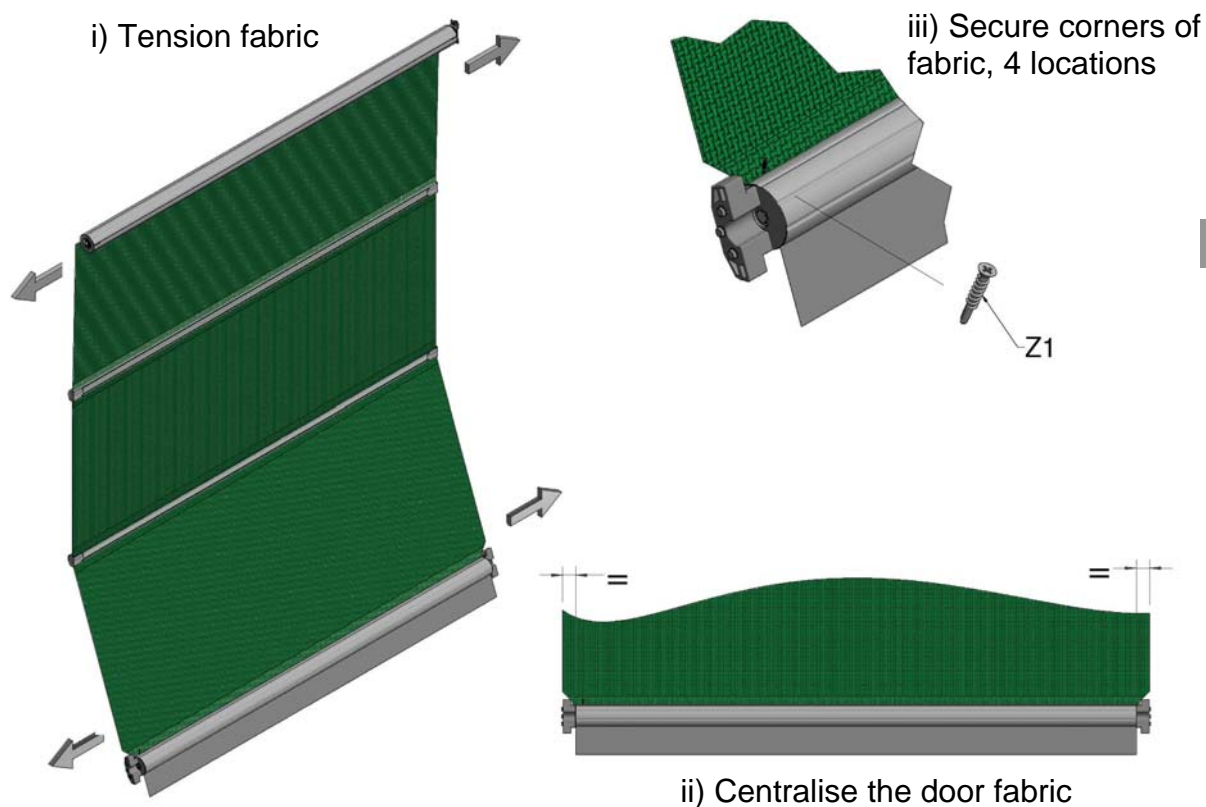


Figure 16, Centralising Screen

Electrical Commissioning

Setting the Motor Limit Switches

16. The motor is supplied in “semi-automatic” mode (when operated it gives two short stops after each start) and allows the motor limits to be set using the operating switch.

- Fully lower the door so that the bottom tube inserts pass below the locking catches with 2-3cm of clearance, Figure 17(i).
- Disengage both locking catches Figure 17(ii).
- Press and hold the UP button to open the door fully and stall against the guide rollers at the top Figure 17(iii). This MUST be done without interruption. When the motor stalls the limits are set.

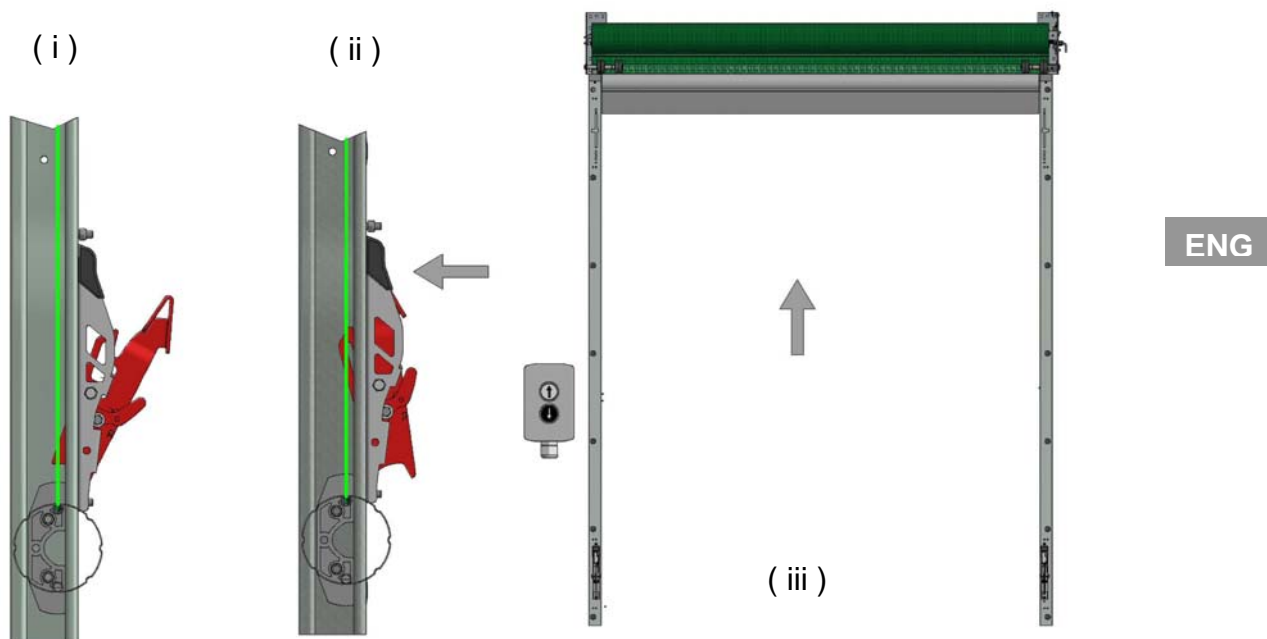


Figure 17, Setting the Limits

Deleting the limits

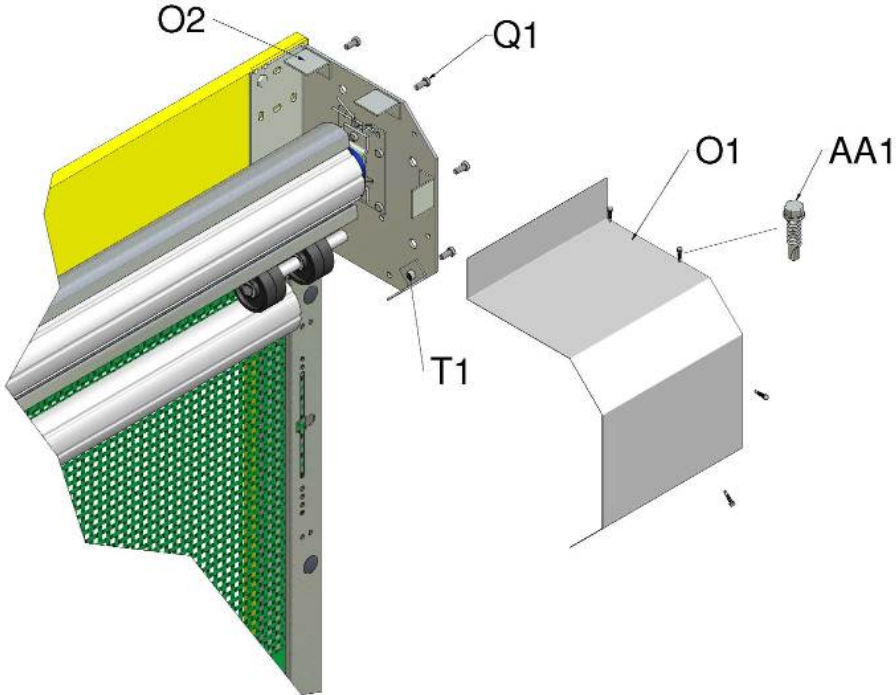
To reset the motor to factory settings, open the door to the top limit. Press and hold the UP button for 3 seconds and release for 3 seconds, repeat this 5 more times and on the 6th operation the door will lower 10cm confirming the factory settings are re-established.

Attaching Covers and Label

17. Attach the company details label supplied to the centre of the bottom tube.

Installing Motor Cowling (Standard) or Door Cowling (Optional)

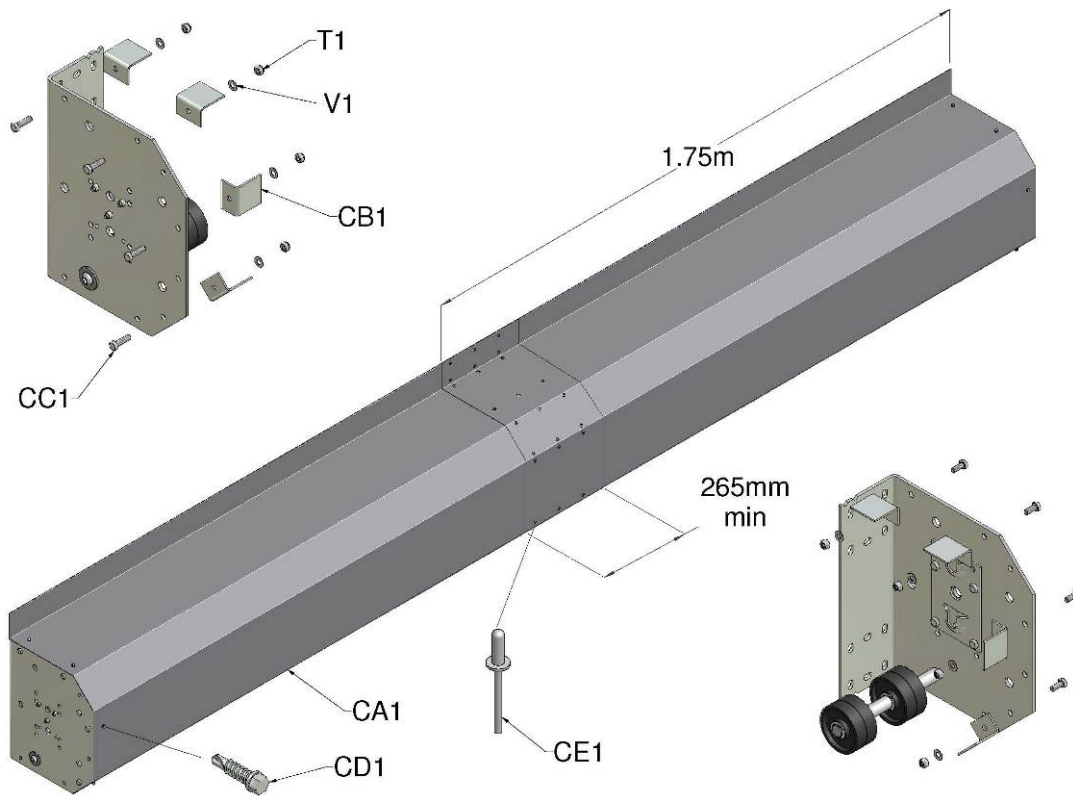
18. Fit cowling support brackets (O2) to motor bracket using the M8 x 20 setscrews supplied (Q1), as shown in Figure 18. Fit 300mm cowling (O1) to cowling bracket with the M5.5 x 19 self-drilling screws supplied (AA1).



ENG

Figure 18, Motor Cowling Assembly

19. Door Cowling (Optional at extra cost)



REF:	Section	.02	QTY	PART DESCRIPTION
CA1		*		1.75M Lengths of Cowling
CB1		8		Cowling Brackets
CC1		8		M8 x 20 Hex Bolts & Nuts
CD1		8		M5.5 x 19 Self Drilling Screws
CE1		*		M4.8 x 8 St Steel Rivets / per join
CF1		1		5mm Drill for rivets (not shown)

Figure 19, Door Cowling Assembly

- C1. Fit cowling brackets (CB1) to the top brackets using the fixings (CC1).
- C2. Join cowling with a minimum overlap of 265mm (Figure 19). Secure with 30no. rivets, 6 in each of the five faces. Offer cowling to brackets and secure with M5.5 x 19 self-drilling screws supplied. Fix rear upstand to building, sealing to prevent water ingress if necessary.

NOTE: The Cowling is self-supporting and does not require intermediate brackets.

20. CE Marking Electrically Operated Products under Machinery Directive

It is the responsibility of the installer to check that the installation conforms to the specific safety features detailed in the Manufacturer's Installation Instructions, to issue the CE Declaration of Conformity and mark a power operated product under the Machinery Directive 2006/42/EC. To do this you will require the following which should be delivered with the product:

ENG

- 1) This set of Installation Instructions (*operating and maintenance instructions*)
- 2) Maintenance Log Book, (*including Installation Checklist and Customer Declaration of Conformity*)
- 3) 1 x Declaration of Conformity (Installer Copy) – *to be completed*
- 4) A CE Label

When CE marking a power operated Galebreaker product, it is vital to follow the steps outlined below:

- a) Install the product as per instructions, with no adaptations or modifications and complete of the *Health and Safety Checklist* in the Maintenance Log Book.
- b) Complete the two 'Declarations of Conformity' using the following:
 - **Model Type:** As shown on CE Label
 - **Serial Number:** As shown on CE Label
 - **Installation Company:** Your company name
 - **Date Installed:** Date Installed
 - **Declaration made by:** Responsible Person
 - **Declaration and Instructions received by:** Customer's Signature
- c) Fix the supplied CE label to the bottom tube. The label should be accessible / visible. Where the serial number does not incorporate the door size, add the Product width and Product height to the end of serial number using a permanent marker pen. i.e. the full serial number should read


Serial Number: 1234 / ADET W X H

[W] Product Width (m)

[H] Product Height (m)

- d) Your customer must be given a copy of the completed 'Maintenance Log Book' along with the 'Installation Instructions' supplied by Galebreaker. These should be stored adjacent to the door controls for reference purposes.
- e) Finally, ask your customer to sign the 'Declaration of Conformity' (Installer Copy). This important document must be filed back at the office of the installer for future reference

ENG



ATTENTION: Use of motors or controllers that are not supplied by Galebreaker, will make the installer the manufacturer (as defined by the Machine Directive 2006/42/EC) of the system and will require the installer to produce their own 'EC Declaration of Conformity' and product 'CE label'.

In such circumstances the door supplied by Galebreaker becomes a partly completed machine and therefore a Certificate of Incorporation can be supplied on request. The installer MUST NOT use the CE documentation supplied by Galebreaker.

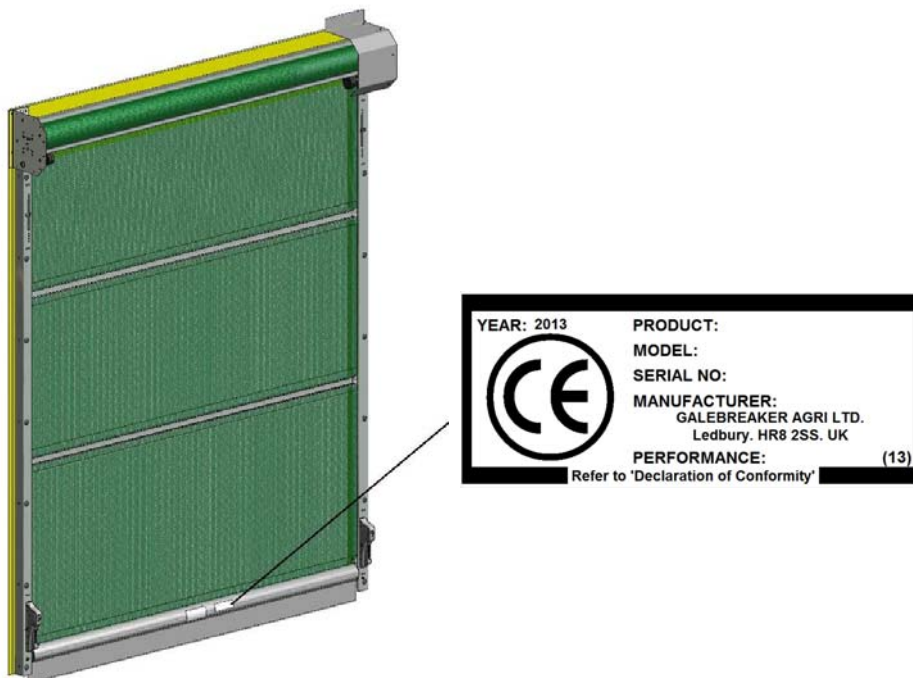


Figure 20, CE Label Location

YOUR DOOR IS READY FOR USE

OPERATION AND MAINTENANCE***How to use your Agridoor***

- Windspeed less than 32kph / 20mph

In light wind conditions, the locking catch can be disabled. If the Locking Catch (J1) is active, disable it by pushing on the disengagement lever (Figure 21). Press the UP or DOWN button until the motor automatically turns off at the upper or lower position.

Alternatively you can move the door to any required position by manually turning the motor off.

ENG

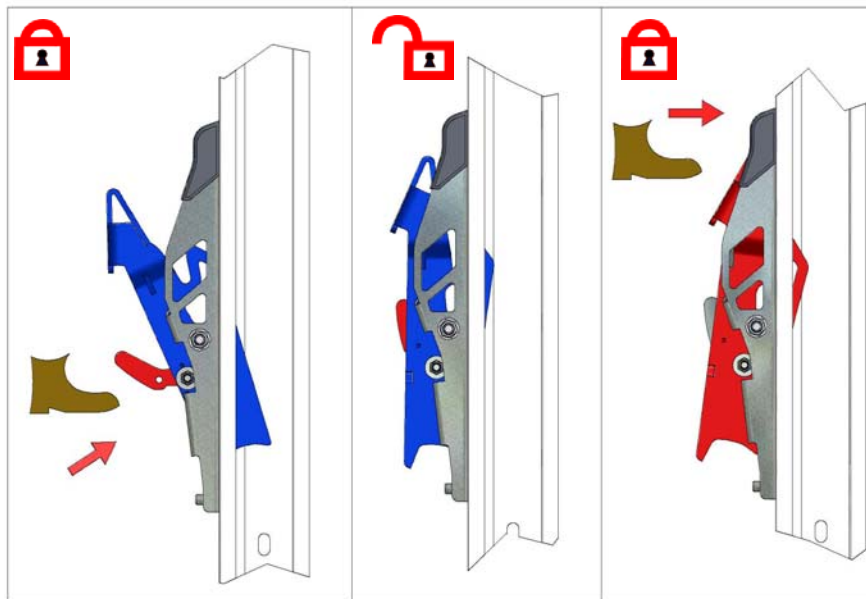


Figure 21, Engaging and Disengaging Locking Catch

- Windspeed over 32kph / 20mph
-



ATTENTION: It is vital that a closed door is secured via the locking catches when the wind speed is above 32kph / 20mph

From Open: If the Locking catch (J1) is disabled push on the top section of the locking plate for re-activation (Figure 22i). Press the DOWN button to close your door, the motor should automatically stop when bottom tube passes the locking catch (Figure 22ii), press the UP button again to backwind the door until the bottom tube engages

with the Locking Catch and the motor automatically turns off when it stalls (Figure 22iii). This action will tension the sheet & protect it from wind damage.

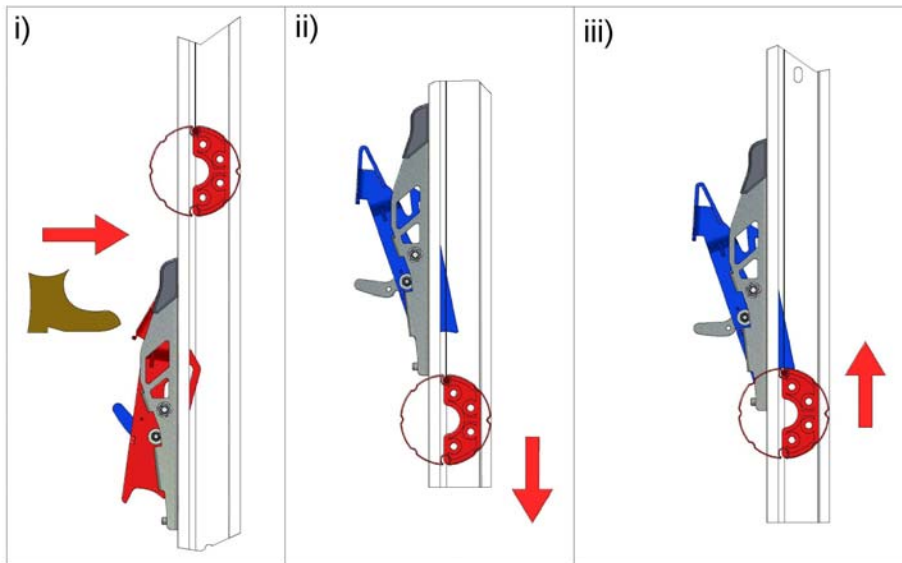


Figure 22, Locking Door Closed



ATTENTION: The motor has built-in obstacle recognition and is not damaged by stalling under power

From Closed: Press the DOWN button to lower the door until the motor automatically stops, open the both Locking Catches by pushing on the top section of the locking plate (Figure 23). Press the UP button again and allow the door to fully open.

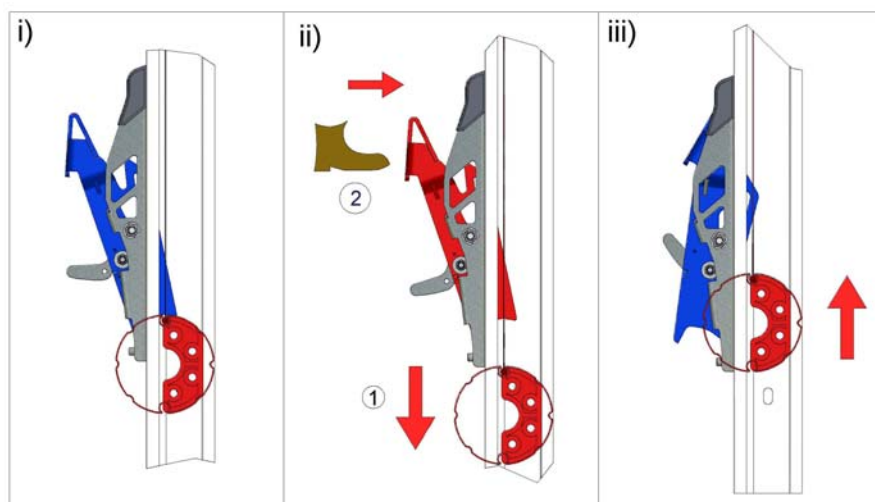


Figure 23, Opening Door From Locked Position

ENG



ATTENTION: To prevent damage to the lower panel of your door, ensure both catches are disengaged before opening.

Door Duty Cycle

The maximum frequency of door operation is once every 30 minutes. One operation is classed as an open & close cycle. If the frequency is more than once every 30 minutes then the motor could overheat, and to protect itself from damage the motor will automatically stop. Should this occur leave the door for a minimum of 15 minutes to cool down & reset itself.

ENG

To gain access during power supply failure, slide the bottom tube up the guiderails, which will collect the fabric and windbars above it. Support bottom tube in the elevated position by either tying it to the top tube or with secure props.

Important Safety Information

- This door must only be operated by users familiar with its operation.
- When operating the door do not place fingers near the guide rails or other moving parts at any time.
- The person operating the door must have the door in sight at all times during its operation.
- Do not permit children to play with the door or its electrical controls.
- Do not modify or attach any objects to the door as this may cause damage and/or injury.
- Operate the door only when properly adjusted and free from obstructions.
- Should the door become difficult to operate or inoperable, consult your local dealer. Repairs should only be carried out by competent personnel.

How to maintain your door

- Check annually for corrosion of the supporting bolts fixing the product to the building, the bolt holding the shaft into the top brackets and the blind in general. Replace suspect items to ensure it is safe for operators and bystanders alike.
- The spring has a design life of 10,000 operations, which equates to using the door approximately 3 times a day for 10 years. After 10 years we recommend a

replacement spring be fitted, or following the dismantling instructions given below remove the spring annually to ensure it has not broken.

- Check annually the electrical cables for damage. Use a qualified electrician for any repair.
- Annually clean the magnet on the locking catch to remove surface dirt.
- The motor and controls are maintenance free items.
- Should Screen material be damaged, repair with special repair kit (code SPS-99) available from your Galebreaker dealer, importer or head office.

ENG

How to dismantle your door

Follow the installation instructions in reverse order. In particular ensure all spring tension is removed before unbolting the top brackets to remove the roller assembly and recoil spring.



CAUTION: To prevent injury ensure spring has no residual tension before removal.

ENG

NOTE: This product has been tested to European Standard EN 12424 with a Resistance to Wind Load rating of Class 5. Tried and tested in the harshest weather conditions, a summary of our guarantee is listed below, see our website for full details:

- **Mechanical components: 100% guarantee for two years, followed by an eight year graduated guarantee.**
- **Electrical components: 100% guarantee for two years, followed by a three year graduated guarantee.**

RAIN INGRESS:

Please note that in extreme weather conditions some moisture will penetrate a mesh material.

Wind Load Resistance:

Mesh 75% Solid

Up to 25sqm = Class 5

Solid Material

Up to 25sqm = Class 5

RIGHTHAND TO LEFTHAND SPRING CONVERSION

RH = Drive bracket on the right with spring bracket on left

For LH to RH conversion, follow instructions in reverse order

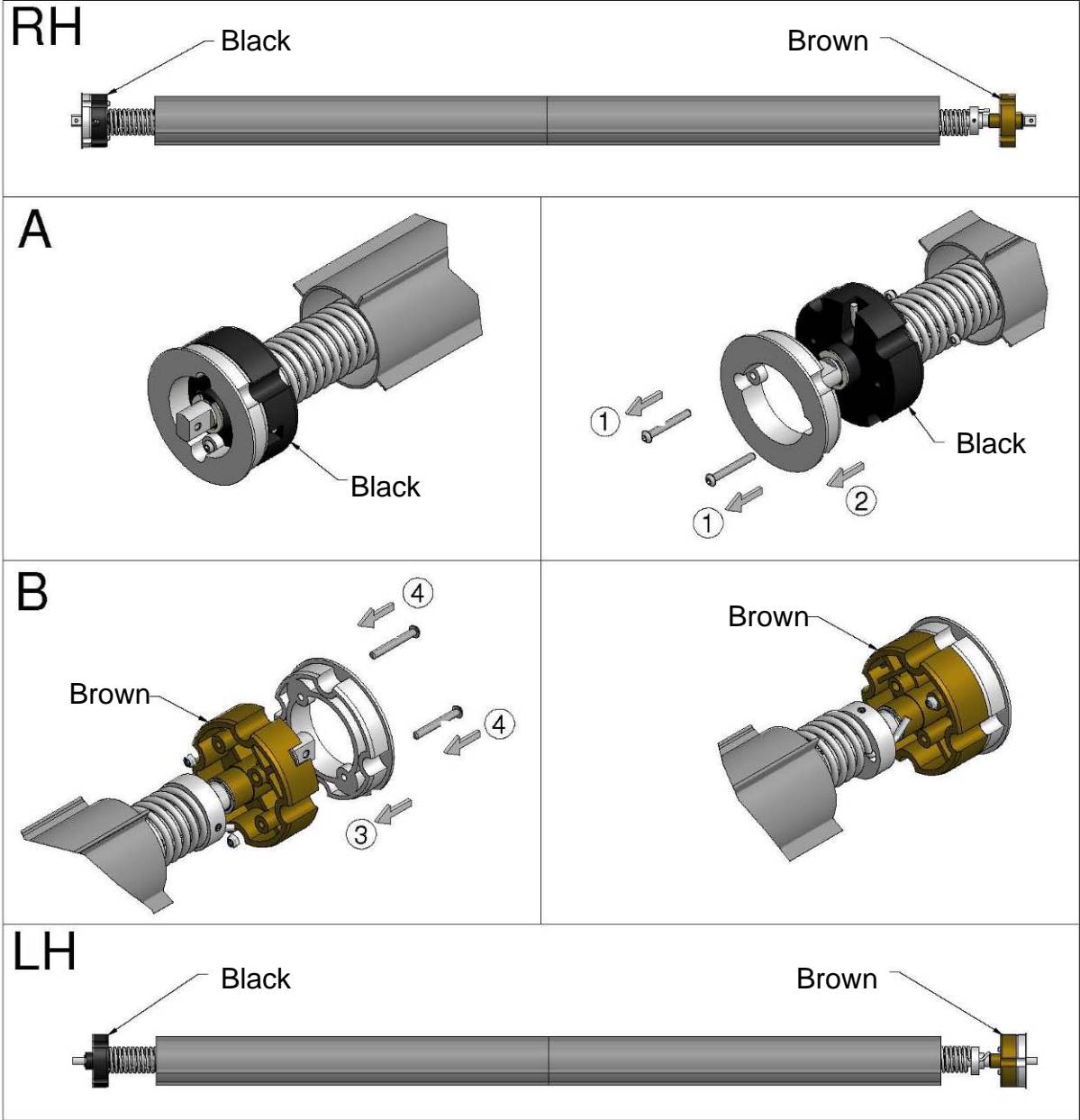
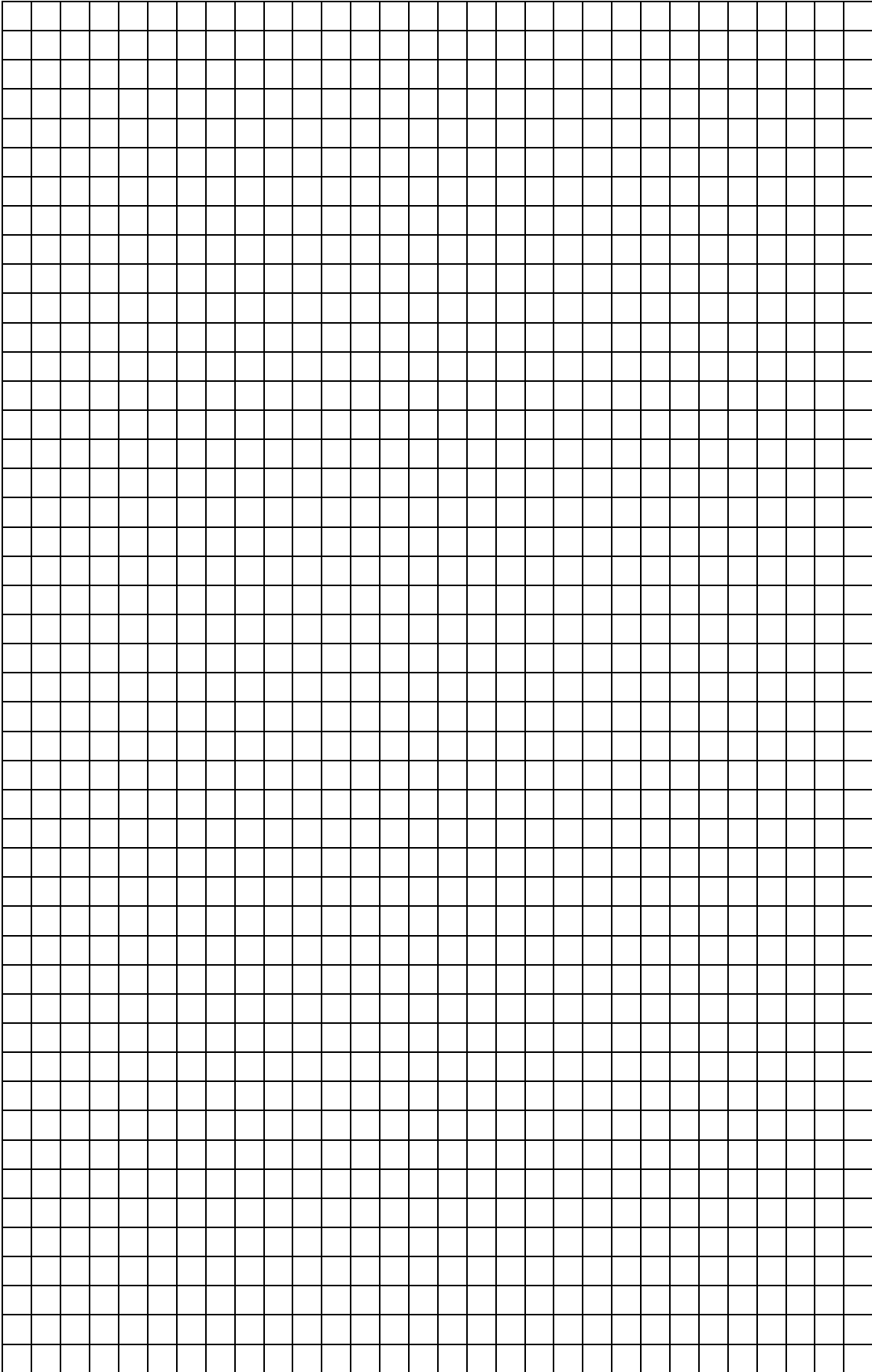
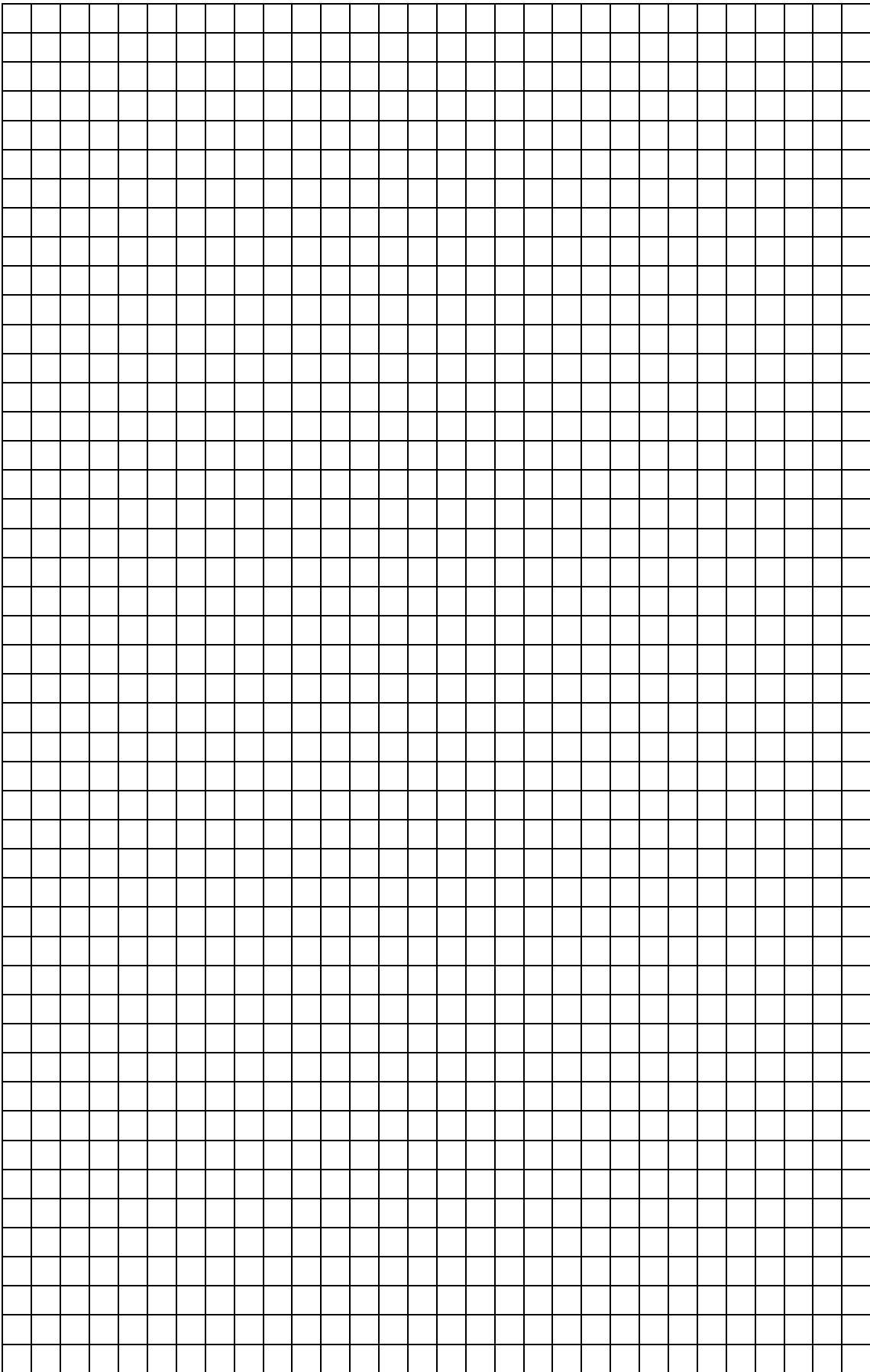


Figure 24, Spring Conversion



ENG



ENG



Manufacturer: Galebreaker Agri Ltd.
Galebreaker House
New Mills Industrial Estate
Ledbury
Herefordshire, UK
HR8 2SS

Tel: +44 (0) 1531 637 900

Fax: +44 (0) 1531 637 901

www.galebreaker.com

Designed and Manufactured in the UK by Galebreaker Agri Ltd.,
Original Instructions

© Copyright Galebreaker Agri Ltd 2017. All Rights reserved

Model No: ADET-S/Mk9/17/12

Instruction Ver: 2017/12/ENG