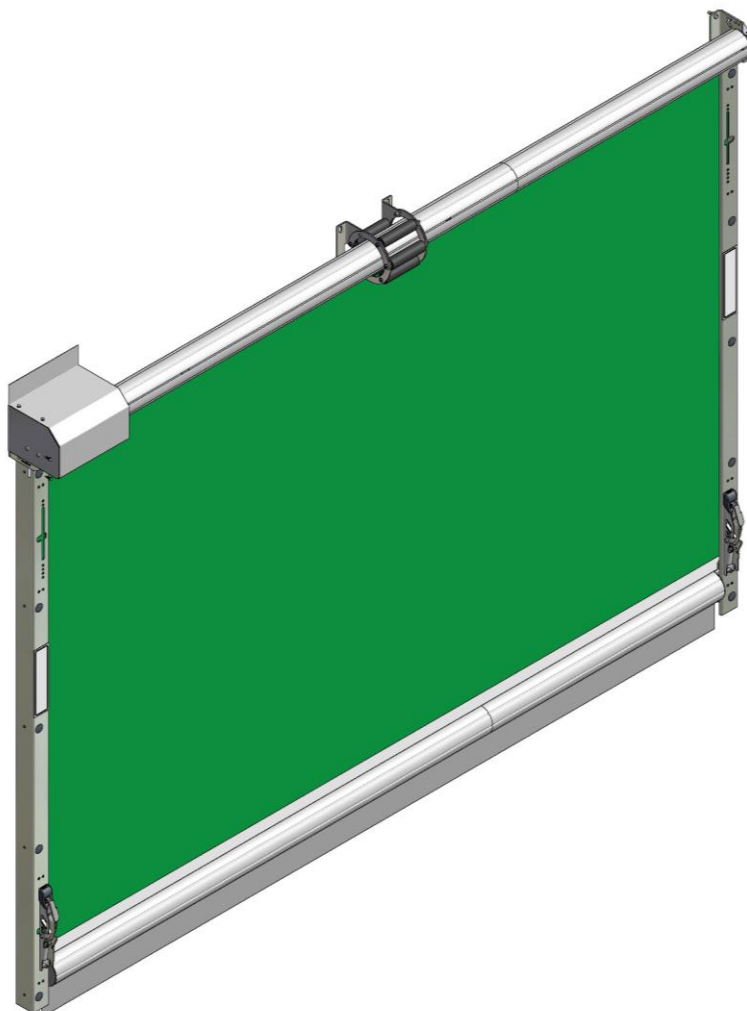


Rollerdoor 6-9m Extension



ENG

Supplement to Rollerdoor Instructions



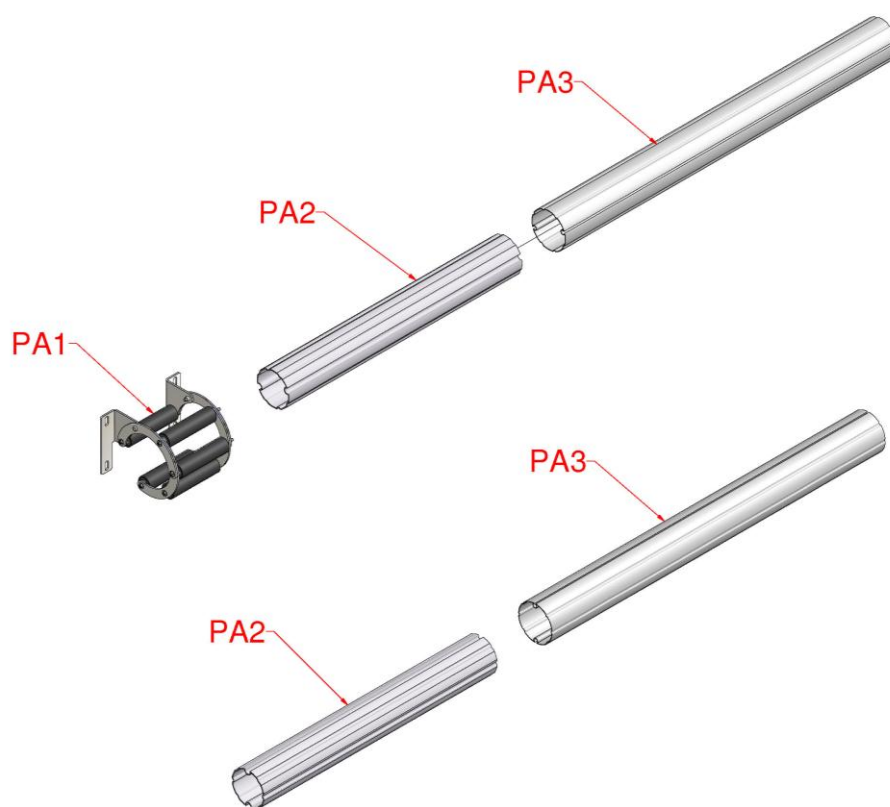


Figure 1, System Overview

Parts List

REF	DESCRIPTION	Qty 1m	Qty 2m	Qty 3m
PA1	C Frame Support for 100mm Tube	1	1	1
PA2	100mm Tube Joiner	2	2	2
PA3	100mm Steel Tube	2.2m	4.4m	6.6m
PA4	4.8x12mm Rivet	32	32	32

These instructions are a supplement to the Rollerdoor and Electric Rollerdoor Instructions for the fitting of the additional parts for doors between 6m and 9m wide.

The Installer will need to provide suitable M10 fixings to secure the C Frame Support to the wall.

INSTALLATION

1. Check the contents of your Door Extension Kit against the parts list above.
2. Cut the 100mm steel tube (PA3) supplied into two pieces to suit the top and bottom tube requirements given in the Door Instructions. Insert a tube joiner (PA2) equally between the ends of the tubes and fasten with 16 rivets per join as shown in Figure

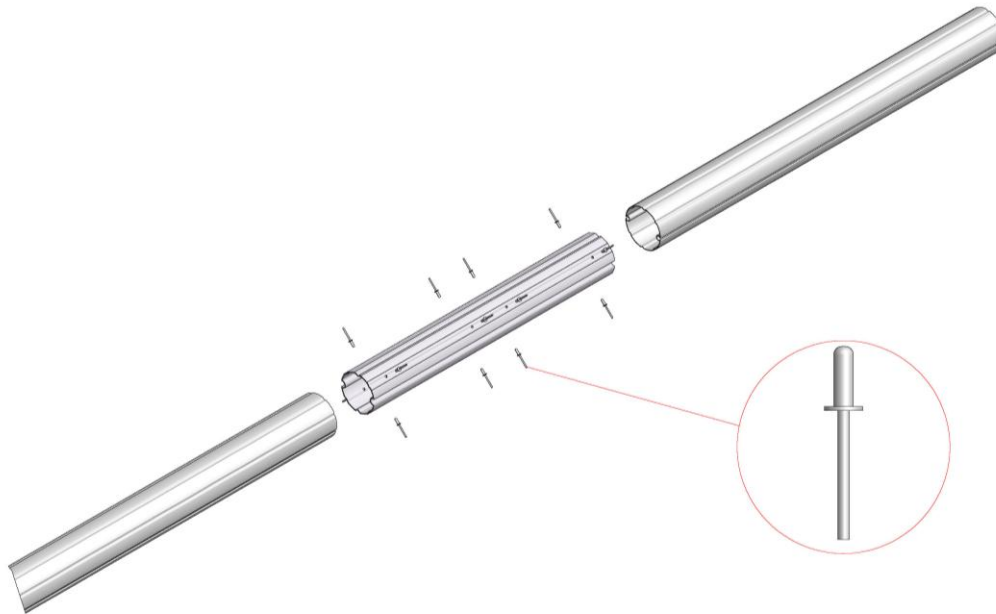


Figure 2, Top and Bottom Tube Joining

3. Fit the C Frame Support (PA1) centrally between the top bracket mounting positions so that the centre of the C Frame aligns with the centre of the motor mounting bracket for Electric Rollerdoor, Figure 3(i) or centre of chain wheel for Rollerdoor, Figure 3(ii). For Electric Rollerdoor fix the motor bracket (F1) to the building.

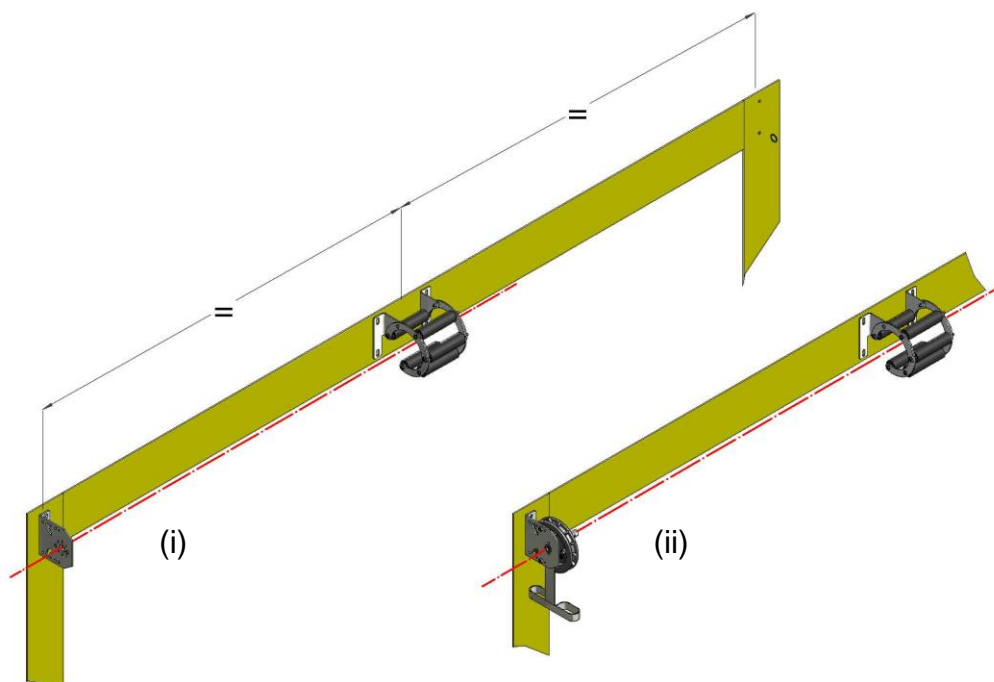


Figure 3, C Frame Support Fixing

4. When installing the safety spring, fit to the extended end of the top tube.
5. When installing the top tube with rolled up fabric and spring assembly, remove the pivot bolt and roller as shown in Figure 4 and swing the frame section up. Lift the tube assembly and locate on the drive end top bracket. For Electric Rollerdoor secure with the R-clip provided. Make sure the fabric rolls off the back of the top tube.

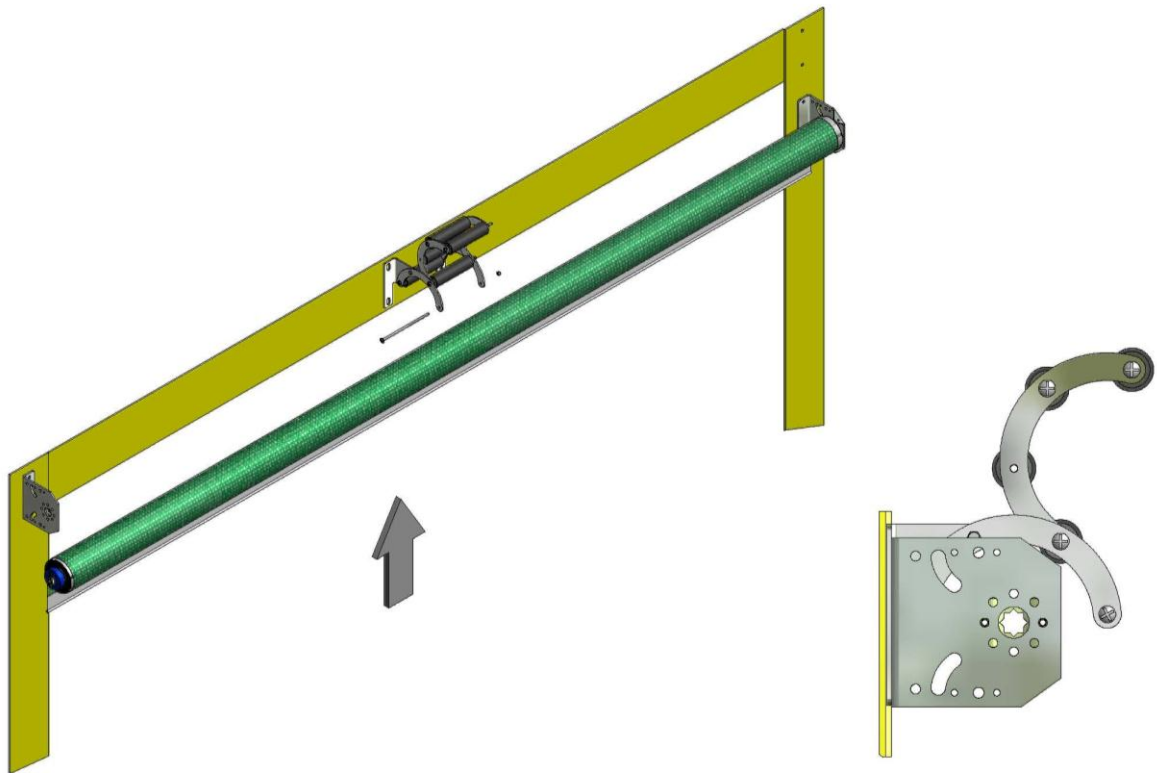


Figure 4, Fitting Top Tube

NOTE: This product has been designed and tested to European Standard EN 12424 with a Resistance to Wind Load rating of Class 2. Tried and tested in the harshest weather conditions, a summary of our guarantee is listed below, see our website for full details:

- **Mechanical components:** 100% guarantee for two years, followed by an eight year graduated guarantee.
- **Electrical components:** 100% guarantee for two years, followed by a three year graduated guarantee.

RAIN INGRESS: Please note that in extreme weather conditions some moisture will penetrate a mesh material.

Wind Load Resistance:

Solid Material

Up to 10sqm = Class 2

Up to 25sqm = Class 2