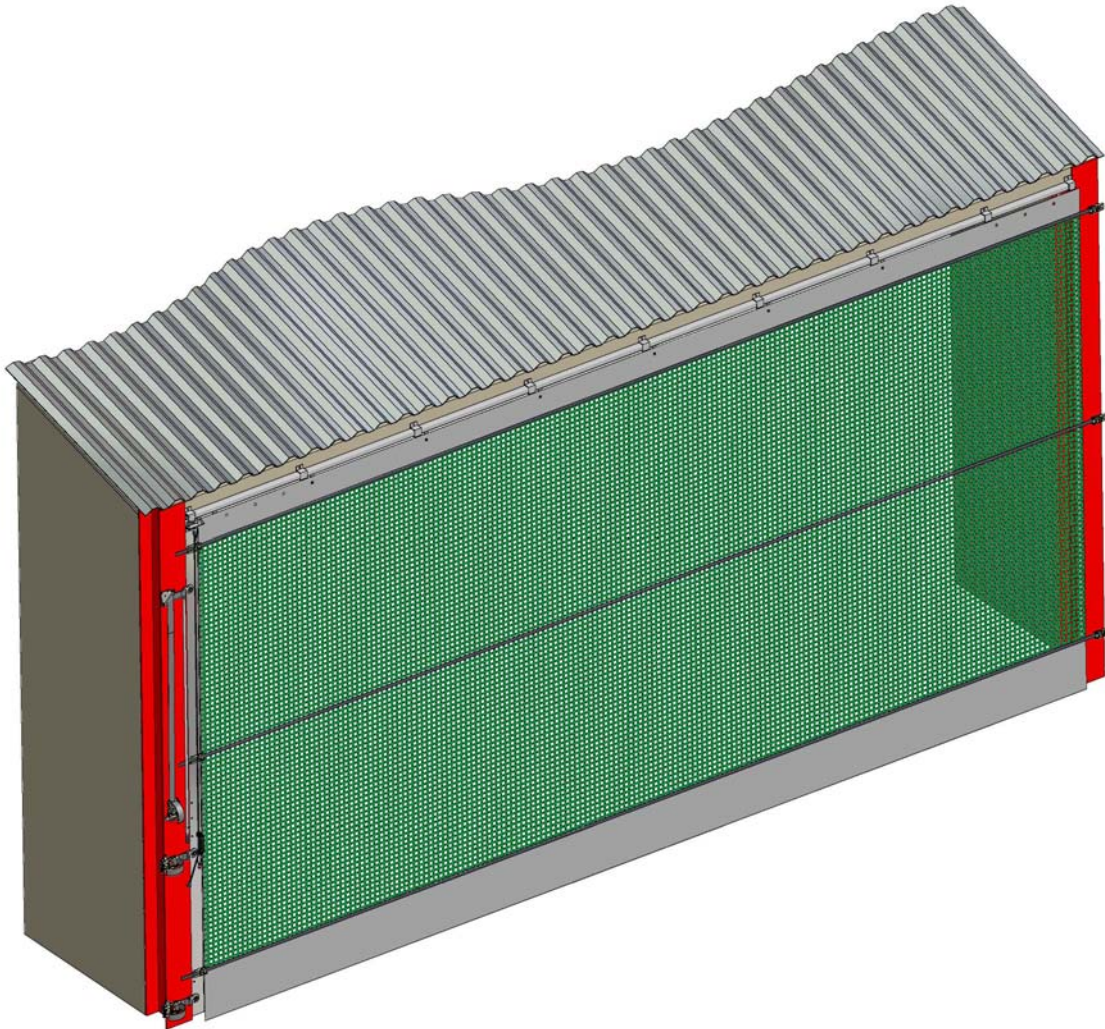


Trackscreen



GB

Pre-Installation Instructions

1. The Trackscreen is manufactured to suit the opening, when ordering please supply Width A with Height B. ($A_{\max} = 20\text{m}$, $B_{\max} = 5\text{m}$, $B_{\min} = 1.8\text{m}$)

Table 1 gives the Clear Opening Width C for the given opening width A.

Tolerance on Height B = $-0\text{mm} / +250\text{mm}$, B can be in the range of 0mm to 250mm taller but not to be narrower.

GB

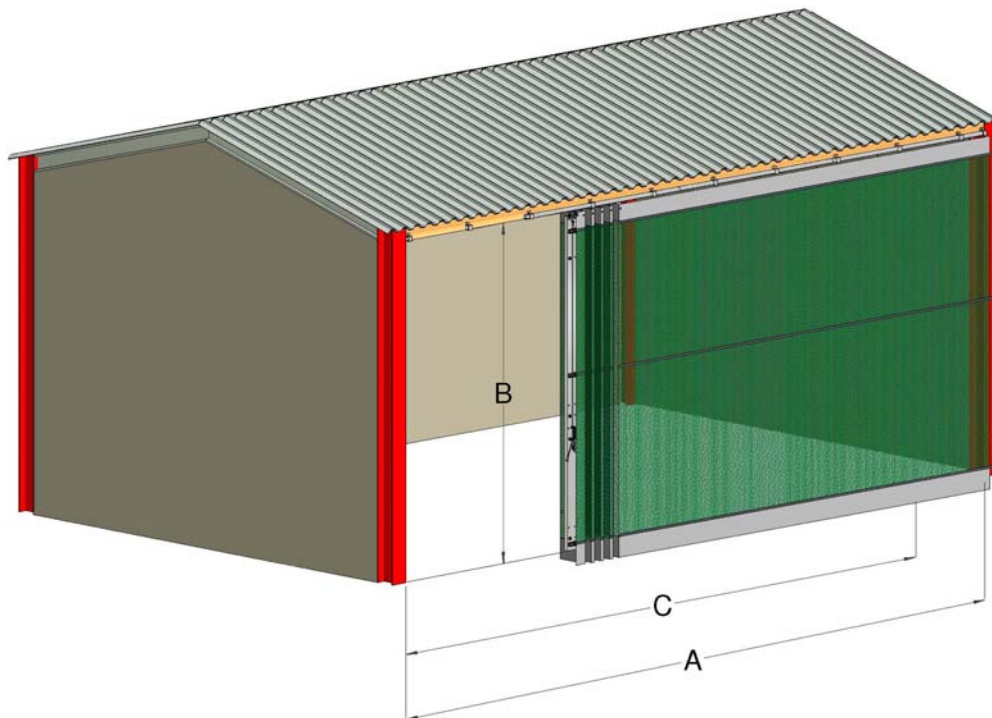


Figure 1, Overview

Trackscreen Width A (m)	Clear Opening C (m)
4	3.5
5	4.4
6	5.3
7	6.2
8	7.1
9	8.0
10	8.9
11	9.8
12	10.7
13	11.6
14	12.5
15	13.4
16	14.3
17	15.2
18	16.1
19	17.0
20	17.9

Table 1

2. The Trackscreen can be installed to open from either end of the building. The Trackscreen supplied will be for opening to the right (as shown in these instructions) but following the instructions supplied can be adapted for left hand opening on site.

3. Figure 2 indicates the two methods of fixing the track support brackets to the building.

Option C shows the support bracket fitted to the underside of the lintel whilst Option D shows a face fix to the lintel. In both situations the lintel needs to be upright. **Please indicate which fixing method is required when ordering.**

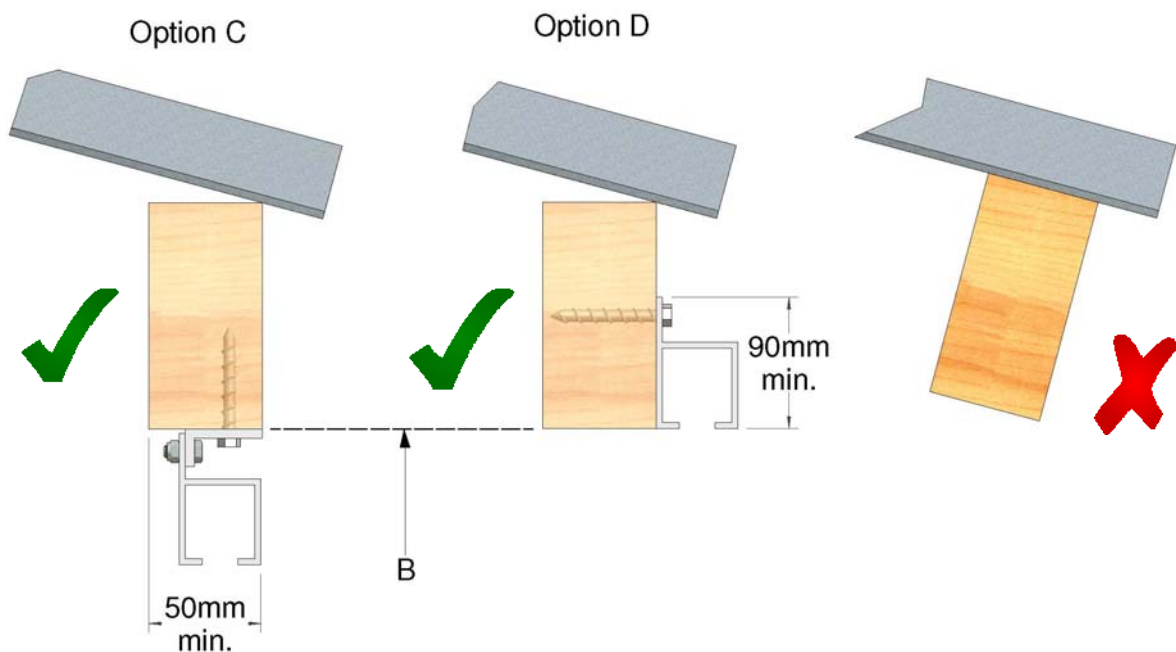


Figure 2, Lintel Requirements

4. Post Tensioning Ratchets

Figure 3a shows the positions of the tensioning ratchets and corner plate for screens with B greater than 3.0m.

Figure 3b shows the positions of the tensioning ratchets for screens with B less than 3.0m.

The building uprights need to be clear of all obstructions around these areas.

Option C = 650mm
Option D = 560mm

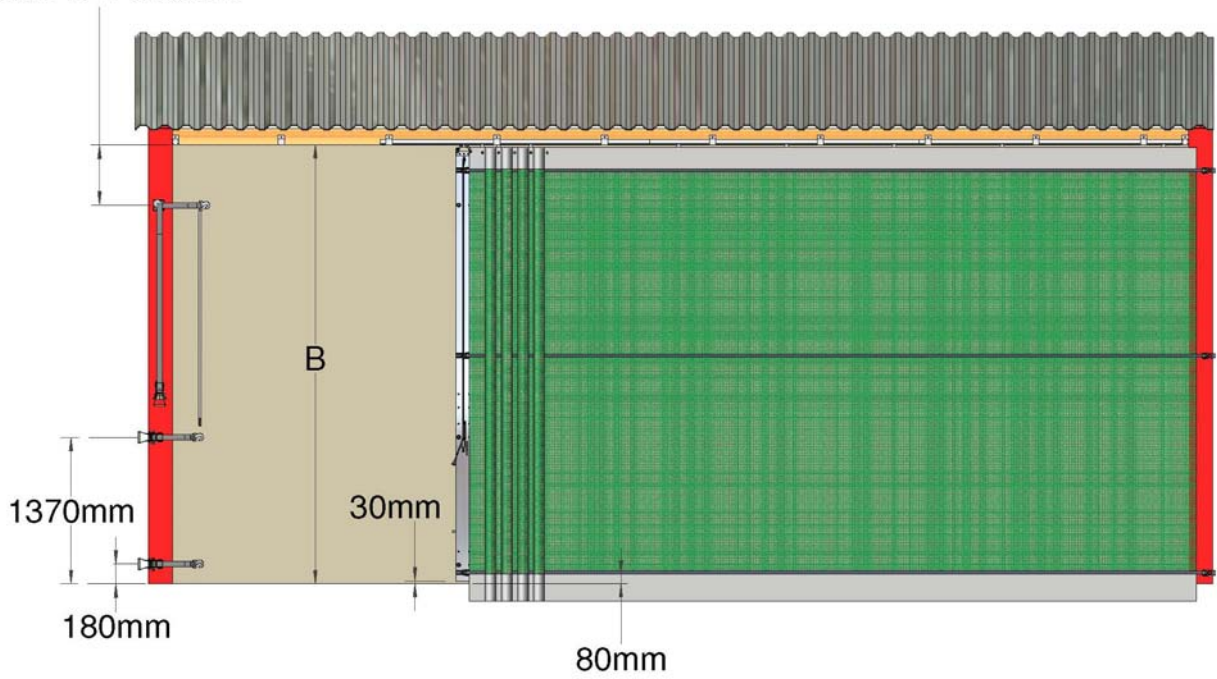


Figure 3a, 50mm Ratchet Positions $B > 3.0m$

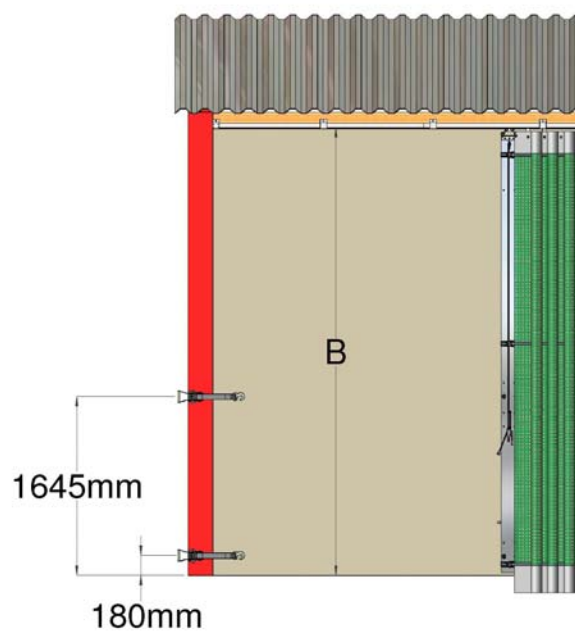
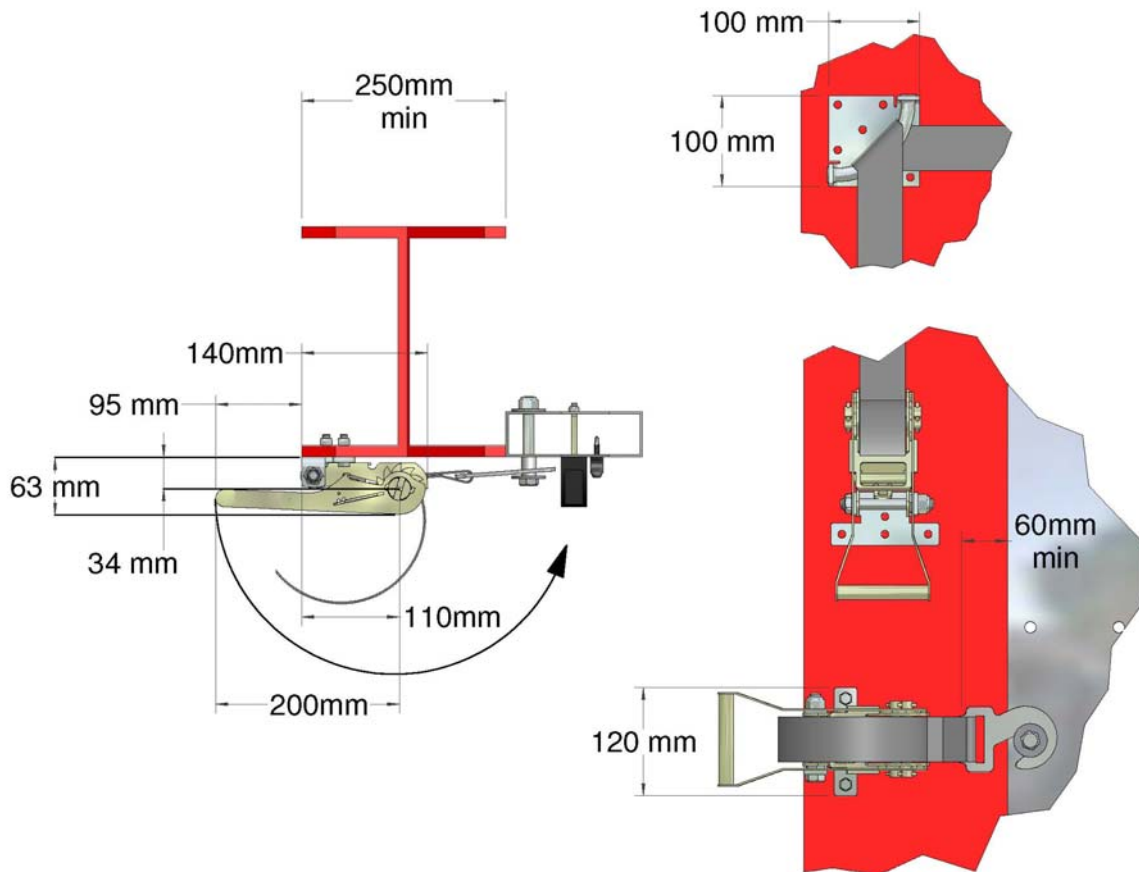


Figure 3b, 50mm Ratchet Positions $B < 3.0m$

The building upright must have a minimum 250mm face width to fit the ratchet assembly and have enough room to tension without pulling the snap hook in to the ratchet.



GB

Figure 4, 50mm Ratchet Dimensions

5. Fixed End Ratchets

Figure 5 with Table 2 gives the positions of the fixed end ratchets on the building upright. The upright must be clear of any obstructions over the full height to allow the fitting of the screen windseal.

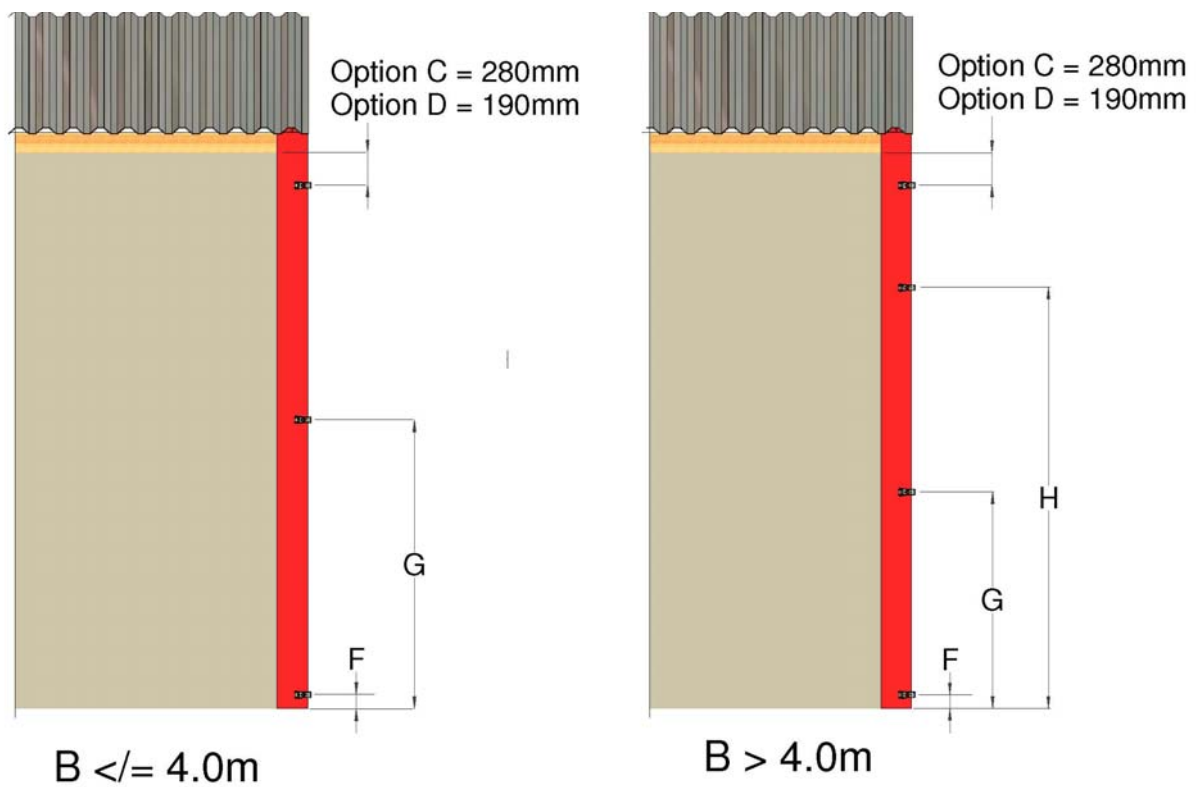


Figure 5, Fixed End Ratchet Positions

B (m)	F (mm)	G (mm)	H (mm)
< 3.49	100	1600	-
3.5 - 4.0	100	2100	-
4.1 - 4.49	100	1600	3100
4.5 - 5.0	100	2100	3600

Table 2

The fixed end building upright must have a minimum face width of 100mm for mounting the ratchet and fixing the windseal.

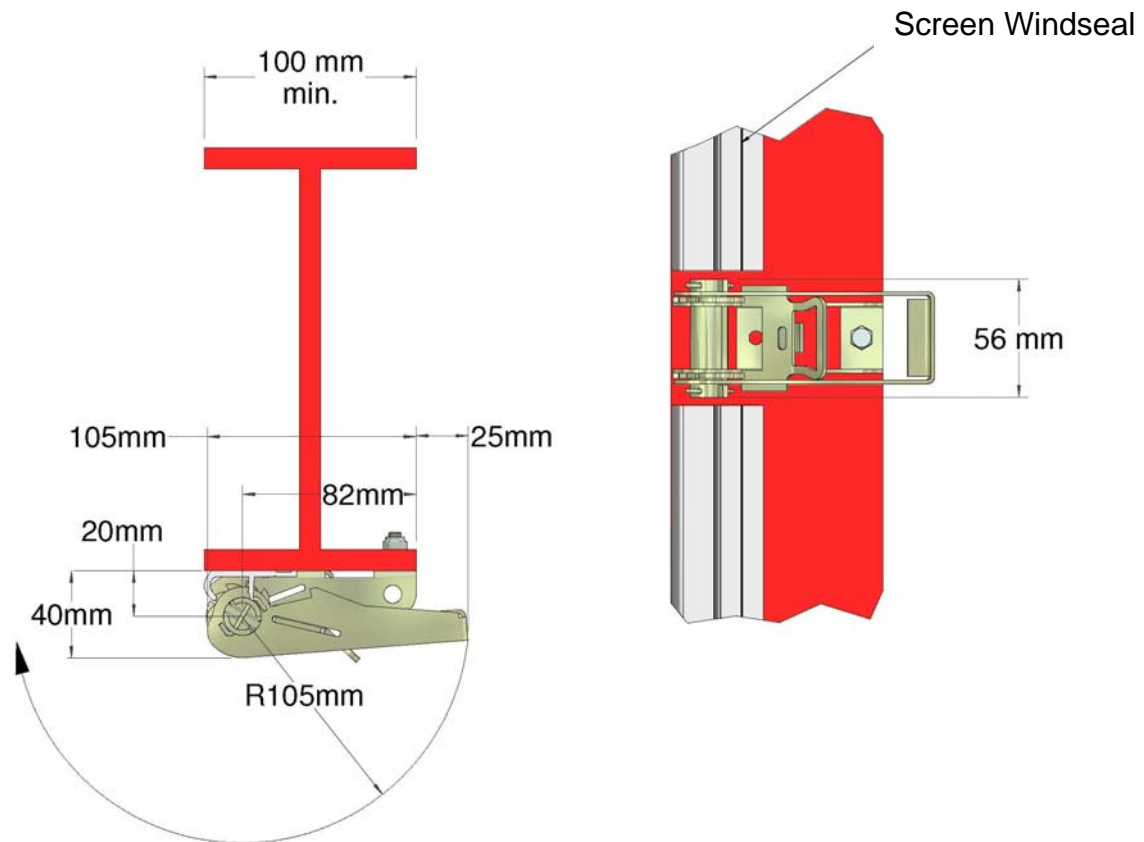


Figure 6, 25mm Ratchet Dimensions

6. Double Post Trackscreen

Trackscreens are available with an additional post at to allow opening from each end of the building. For this arrangement please refer to Section 4 for building upright requirements and disregard Section 5. **For this option please request an extra post at point of order.**

7. Multiple Trackscreens

Trackscreens can be fitted in series to a building face. The following Figures give the requirements for the various arrangements.

7.1 Double Trackscreen – Central Closing.

7.1.1 Both posts close against the central upright, the positions of the post tensioning ratchets for the right hand screen is given in Figures 3a and 3b. The positions of the lower ratchets for the left hand screen are 125mm above the right hand ratchets.

7.1.2 The minimum central upright width is 250mm but note that the handle of the ratchet will impose on the clear opening width by 95mm.

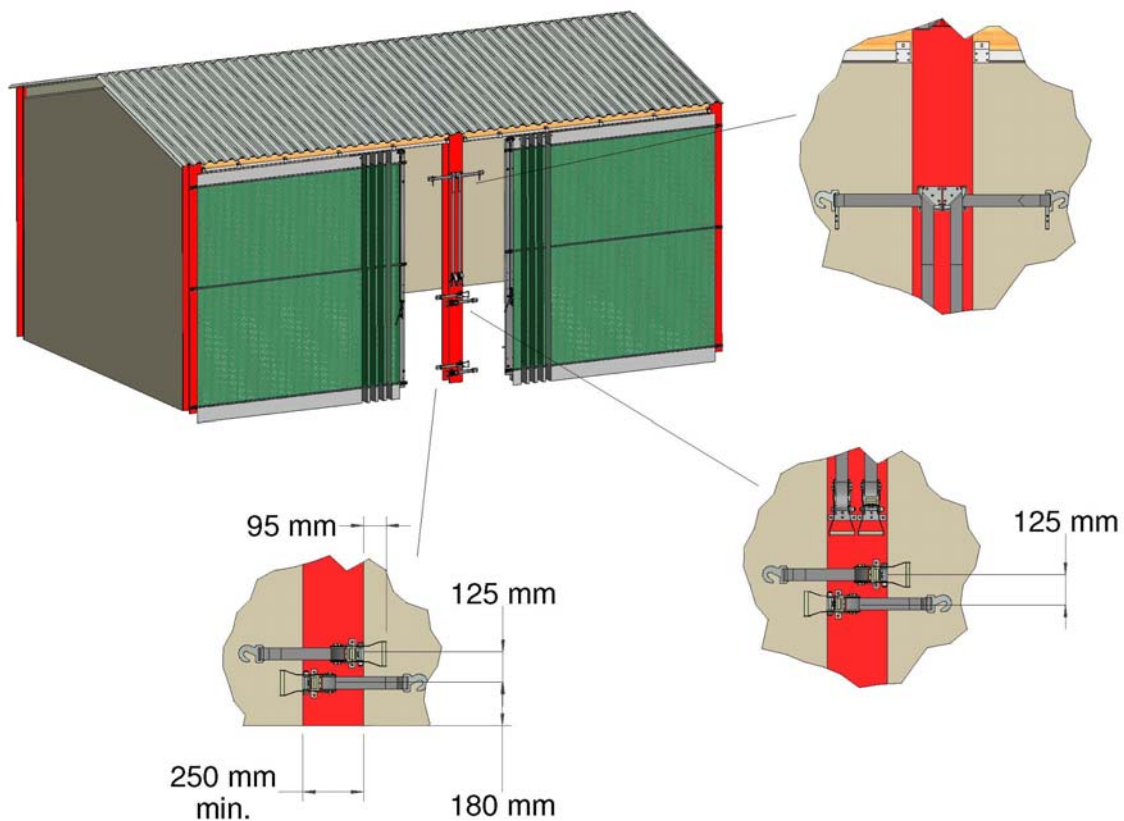


Figure 7, Double Trackscreen – Centre Closing

7.2 Double Trackscreen – Centre Post Fixing

7.2.1 Both screens are fixed to the central upright and close against the outer uprights. The positions of the fixed end ratchets are as given in Figure 5.

7.2.2 The minimum central upright width is 250mm.

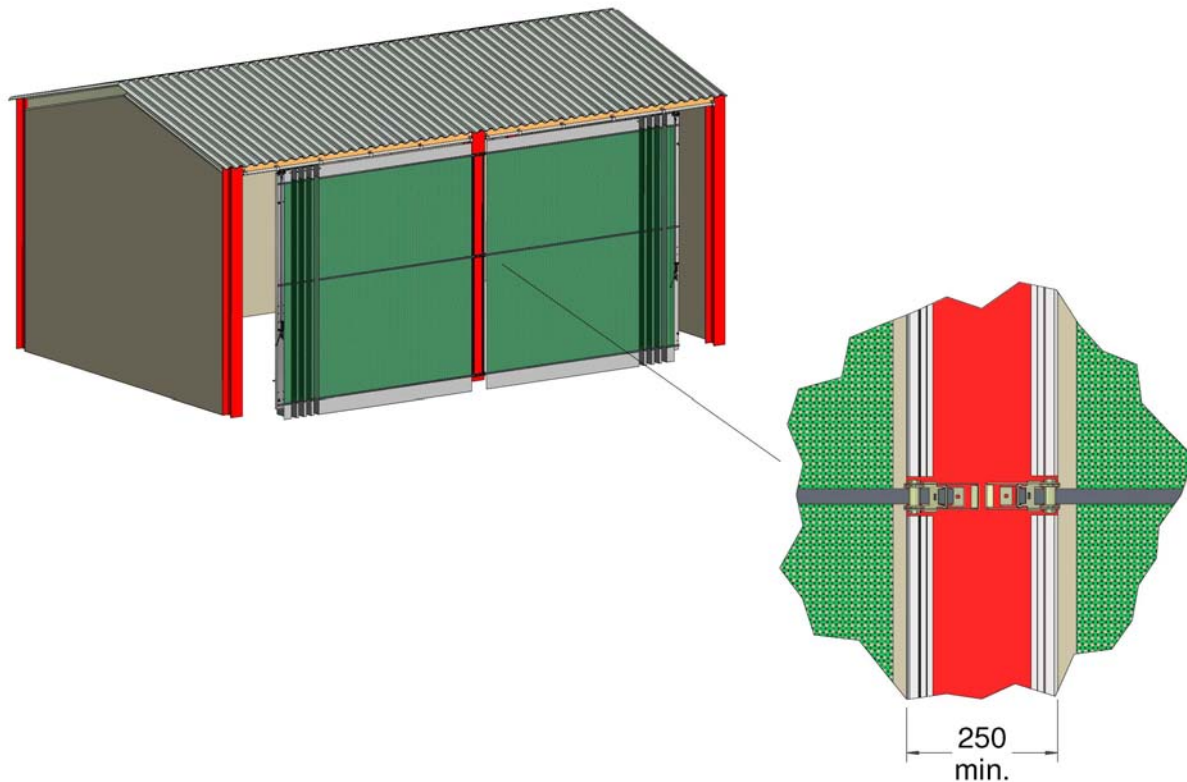


Figure 8, Double Trackscreen – Centre Fixing

7.3 Double Trackscreen – Consecutive Fix

7.3.1 Both screens open in the same direction from Left to Right or vice versa (Figure 9).

The fixed end ratchets are positioned as in Figure 5. The lower post tensioning ratchets are positioned 125mm higher than that shown in Figures 3a and 3b.

7.3.2 The minimum central upright width is 305mm.

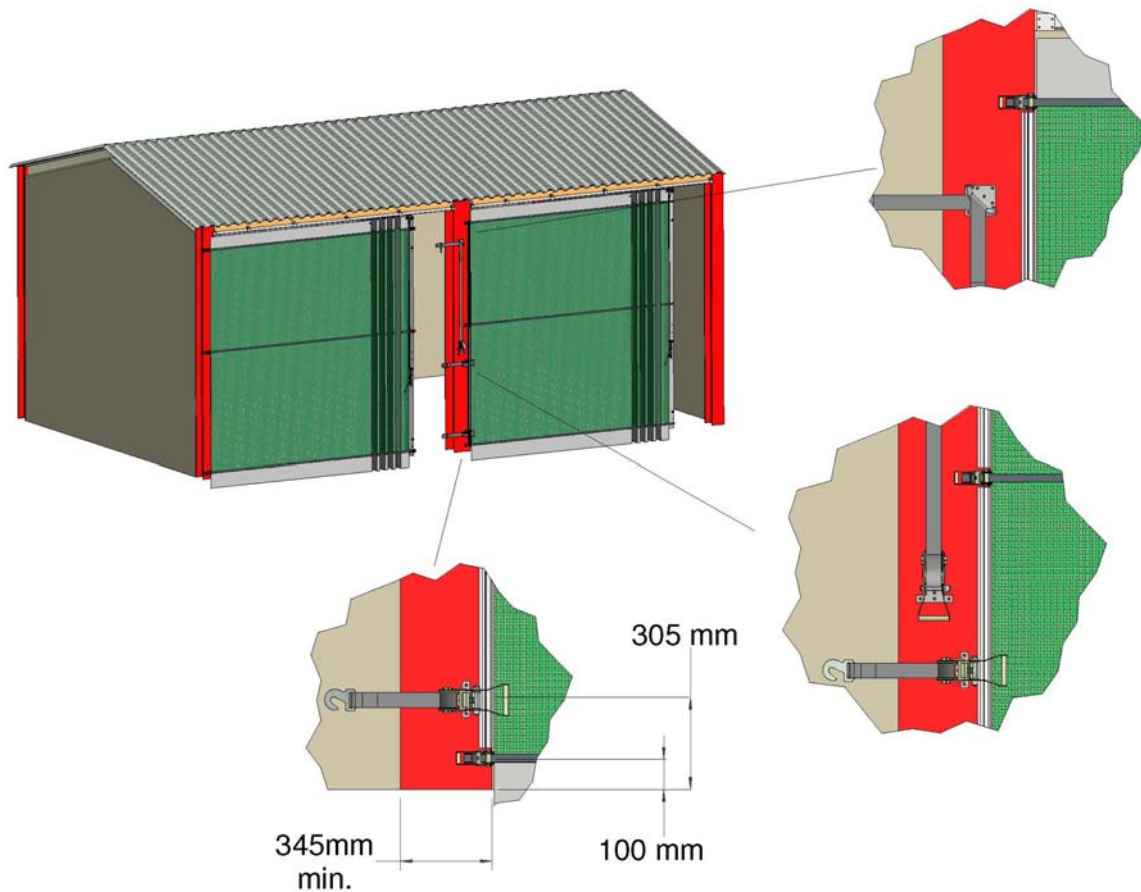


Figure 9, Double Trackscreen – Consecutive Fix

8 Sloping Roofs and Floors

8.1 For sloping roofs the post must be located on the shortest end and the trackscreen opens up the slope. The maximum slope is 20 degrees or 35cm per 1m run.

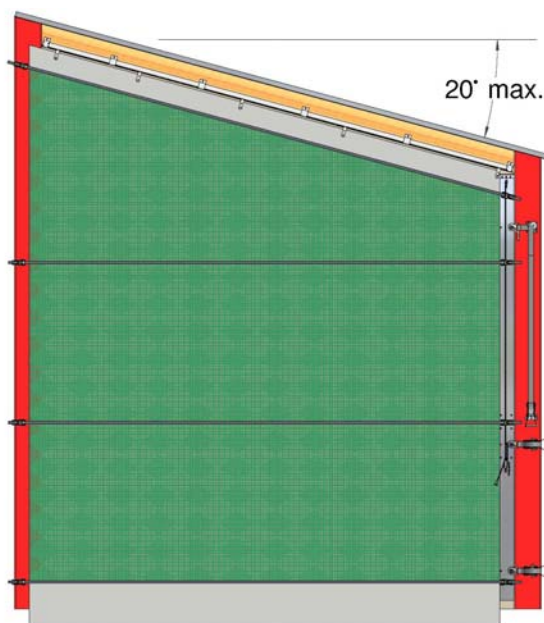


Figure 10, Sloping Roof

- 8.2 For sloping floors the post must be located on the shortest end and the trackscreen opens downhill. The minimum height of the building at the low end $B(\text{min})$ is 1.8m and the maximum height at the high end $B(\text{max})$ is 5m.

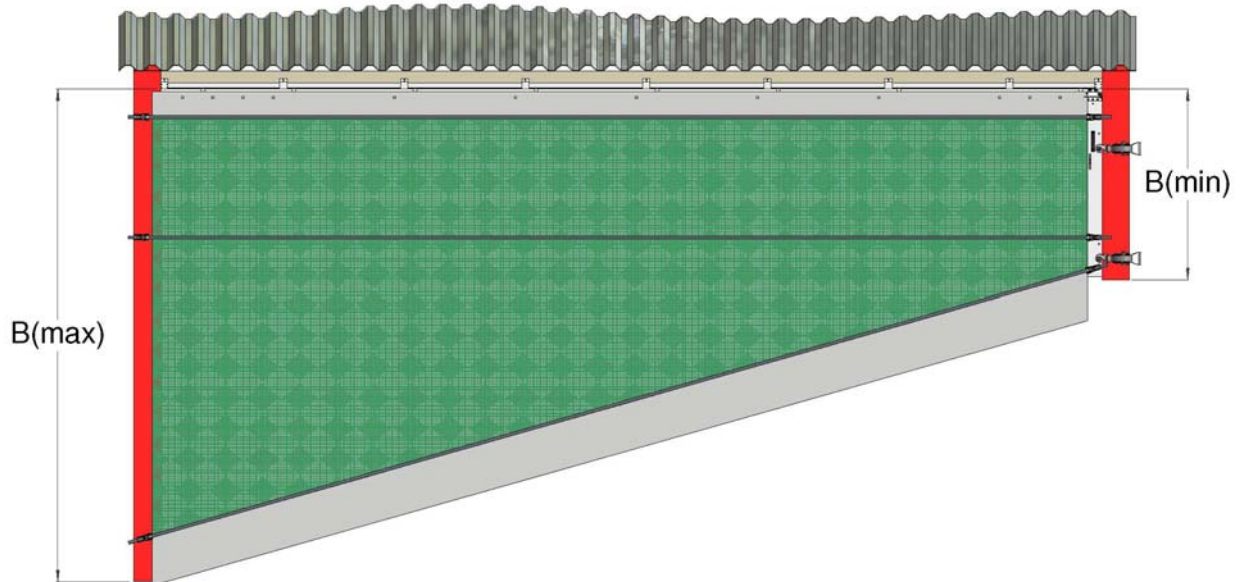


Figure 11, Sloping Floor

9. Fastenings

- ❖ M8 x 40 Bolts are supplied to secure the track brackets and 50mm ratchets to a metal surface up to 25mm thick (i.e. Plate, Channel, Universal Beam, Universal Column, etc). Customer needs to supply own fastenings if securing to wood or concrete.
- ❖ M5.5x32 Self drill screws are supplied to secure the 25mm ratchets and female windseal to a metal surface up to 12mm thick (i.e. Plate, Channel, Universal Beam, Universal Column etc.). Customer needs to supply own fastenings if securing to timber or concrete.

STORM:

This product has been designed and tested to European Standard EN 13241-1 with a Resistance to Wind Load rating of Class 4. Tried and tested in the harshest weather conditions, this product is fully guaranteed for two years, followed by a four year graduated guarantee.

RAIN INGRESS:

Please note that in extreme weather conditions some moisture will penetrate a mesh material.